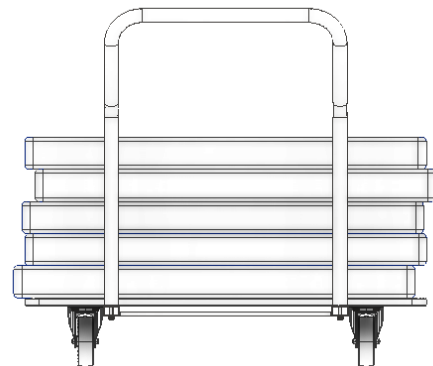
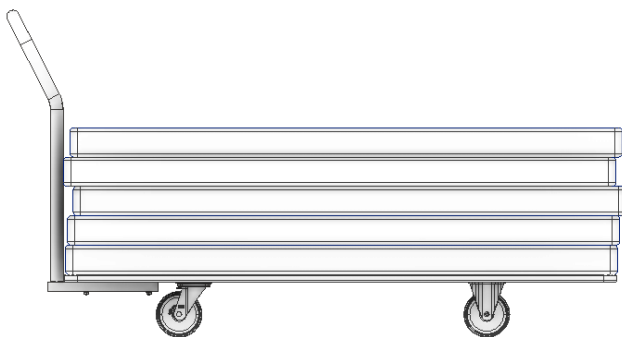
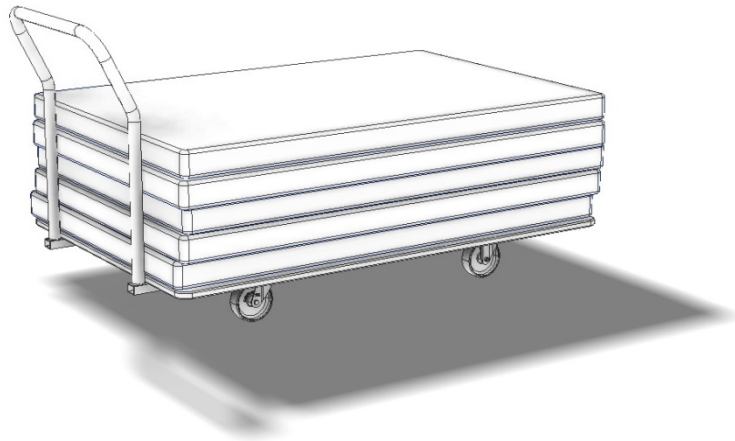


## Instruction manual for the gymnastics mat transport trolley

Thank you very much for choosing a **Sport-Thieme** product. Please read the instructions fully before you assemble the equipment so you can enjoy the product and its guaranteed safety:



### 1. General

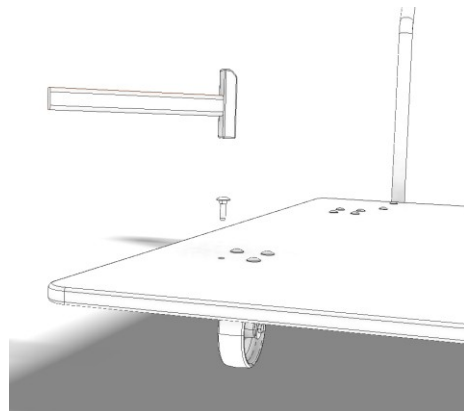
The gymnastics mat transport trolley is used for transporting and storing of gymnastics mats. Please check the length of your trolley and only use the intended mats:

- **Mat trolley 1 m x 2 m** (122 1510):      **mats 1 m x 2 m & mats 1 m x 1.50 m**
- **Mat trolley 1 m x 1.50 m** (122 1507):      **mats 1 m x 1.50 m (only!)**

Place the mats on top of each other on the trolley in such a way that the short sides are flush with the handle's bars and do not protrude (see above pictures).

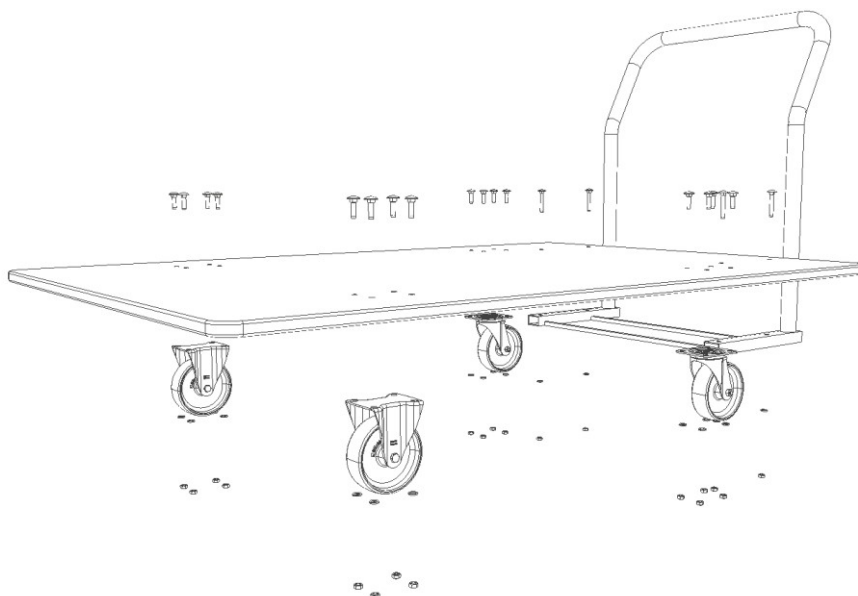
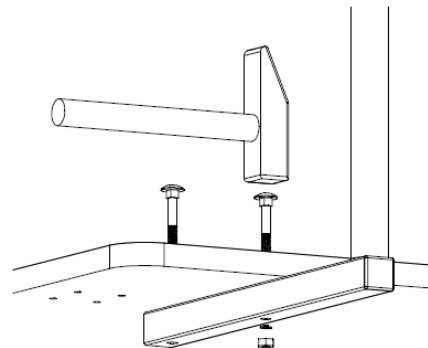
## 2. **Included**

- 1 x handle
- 1 x board
- 2 x swivel castor (125 mm)
- 2 x castor (125 mm)
- 16 x bolt M8 x 30 16 x hex nut M8
- 16 x spring washer 8
- 4 x bolt M8 x 55
- 4 x hex nut M8
- 4 x spring washer 8



Mount the castors using the bolts M8 x 30 and the respective nuts and spring washers included.  
A soft blow with a hammer pushes the square part into the wood and you can now tighten the nut.

Similar to what you did with the castors, mount the handle using the bolts M8 x 55 bolts and the respective nuts and spring washers included.  
Here again, a soft blow with a hammer pushes the square part into the wood and you can now tighten the nut.



Use 4 bolts, nuts and spring washers to mount each castor as well as 4 bolts, nuts and spring washers for the handle.  
The illustration on the left shows all parts in an exploded view drawing to provide an overview.

### 3. Safety advice

**Please do not overload!**  
Maximum load: **300 kg!**

The gymnastic mat transport trolley is only suitable **for its intended use**.  
Improper use voids the warranty.

**Caution: do not overload or climb on the equipment!**

**Caution: only use the trolley on even surfaces, as the trolley has no brakes!**



### **Maintenance and care instructions**

#### **Instructions:**

Carry out a visual check at regular intervals. Due to our continuous quality control of the products, technical changes may occur which may lead to slight deviations in the instructions. Check at regular intervals that the screw connections are tight. Check the equipment for possible damage and replace worn-out parts. Ensure that moveable parts are free-moving. Do not transport people.

We are happy to answer any questions  
you may have.

Your **Sport-Thieme** Team