



User manual  
Gebrauchsanweisung  
Gebruikshandleiding  
Mode d'emploi

# ***GALAXY***

## ***Wall Mount Basketball System***

### ***OWNERS MANUAL***



 **WARNING!**  
TWO CAPABLE ADULTS REQUIRED FOR ALL THE ASSEMBLY PROCEDURE. FAILURE TO FOLLOW THIS WARNING COULD RESULT IN SERIOUS INJURY AND/OR PROPERTY DAMAGE.

 **WARNING!**  
ES SIND ZWEI PERSONEN ERFORDERLICH FÜR DIE MONTAGE. EIN MISSACHTEN DIESER WARNUNG KANN ZU SCHWEREN VERLETZUNGEN UND/ODER SACHSCHÄDEN FÜHREN.

 **WAARSCHUWING!**  
ER ZIJN TWEE PERSONEN VEREIST VOOR DE MONTAGE. NEGEREN VAN DEZE INSTRUCTIES KAN LEIDEN TOT ERNSTIG LETSEL EN/OF SCHADE AAN BEZITTINGEN






 **AVERTISSEMENT!**  
IDEUX PERSONNES SONT NÉCESSAIRES POUR L'ASSEMBLÉE. SUIVEZ CET AVERTISSEMENT SOUS PEINE D'ENCOURIR DES BLESSURES GRAVES ET/OU DES DÉGÂTS MATÉRIELS.



 **WARNING**  
CHOKING HAZARD  
small parts  
Adult assembly required  
retain for future reference





<b>English</b>		<b>4</b>
<b>Deutsch</b>		<b>14</b>
<b>Nederlands</b>		<b>24</b>
<b>Français</b>		<b>34</b>
		<b>44</b>

## 1.0 Introduction

Congratulations on choosing a EXIT Galaxy basketball system!

**Have fun, be active and play outdoors.....**

That's what keeps driving us to develop innovative, quality toys for cool kids.

We do everything possible to develop safe products for children. As our products are classed as toys, we comply with the toughest consumer safety regulations. Before launching our products onto the market, we have independent tests carried out for certification. We also continuously test our production runs and periodically have independent tests performed again as a further check. Only products which live up to the highest EXIT Toys standard are marked with and recognized by the EXIT-brand.

"We want to thank you for your custom and your confidence in this product. We're sure your kids will have as much fun as we did during development. Being open-minded, we really appreciate all comments and ideas which will help us improve our products or develop new ones. You are invited to send your ideas to us at [info@exit-toys.com](mailto:info@exit-toys.com)"

Please visit [www.exittoys.com](http://www.exittoys.com) and discover more cool new products.

The EXIT Toys team



## SAFETY INSTRUCTIONS



FAILURE TO FOLLOW THESE SAFETY INSTRUCTIONS MAY RESULT IN SERIOUS INJURY OR PROPERTY DAMAGE AND WILL VOID WARRANTY.  
Owner must ensure that all players know and follow these rules for safe operation of the system.

To ensure safety, do not attempt to assemble this system without following the instructions carefully. Check entire box and inside all packing material for parts and/or additional instruction material. Before beginning assembly, read the instructions and identify parts using the hardware identifier and parts list in this document. Proper and complete assembly, use, and supervision are essential for proper operation and to reduce the risk of accident or injury. A high probability of serious injury exists if this system is not installed, maintained, and operated properly.

- If using a ladder during assembly, use extreme caution.
- Two (2) capable adults are recommended for this operation.
- Seat the pole sections properly (if applicable). Failure to do so could allow the pole sections to separate during play and/or transport of the system.
- Climate, corrosion, or misuse could result in system failure.
- Minimum operational height is 6' 6" (1.98 m) to the bottom of backboard.
- This equipment is intended for home recreational use only and NOT excessive competitive play.
- Read and understand the warning label affixed to pole.
- The life of your basketball pole depends on many conditions. The climate, placement of the pole, location of the pole, exposure to corrosives such as pesticides, herbicides, or salts are all important.
- If technical assistance is required, contact customer Service.
- Adult supervision is recommended when adjusting height.

• DO NOT HANG ON RIM



*Most injuries are caused by misuse and/or not following instructions.  
Use caution when using this system.*

## TOOLS REQUIRED



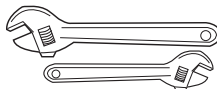
- Two (2) Capable Adults



- Step Ladder 8ft. (2.4 m)



- Tape Measure



- Large and Small Adjustable Wrenches



- Hammer



- Drilling machine



- #2 or #3 Phillips Screwdriver



- Spirit level



- Safety Glasses



- Pencil

**General instructions for use**

- Read the instructions before use and keep them throughout the lifetime of the product.
- Warning! Not suitable for children under 3 years due to small parts. Choking hazard.

**Please note**

- Regularly check the important parts of the product (backboard, rim, frame, fastenings, etc) to make sure it is in a good state of repair. Without these regular checks, the product might topple over or present other risks to the user.
- We advise you to mount your backboard on the ground.
- This piece of equipment must not be misused.
- Not adhering to the safety instructions below may lead to seriously physical injury.
- For domestic use only.
- Product designed exclusively for novice basketball use.

**When assembling**

- It should be fitted by two adults only.
- Adhere to the assembly instructions (diagrams and text supplied)
- Before mounting the product, check with a professional builder that the screws are suitable for the support you intend to mount it on.
- When you adjust the height or move the system, keep you hands and fingers away from moving parts.

**Storage**

- If the product is stored outside, it must be placed far away from personal belongings and hanging cables and/or in a place protected from wind.

**Instructions for use in play**

- Read the instructions below before using this product. Not adhering to these safety instructions may lead to serious physical injury and/or material damage.
- Children using this product should be under the constant supervision of an adult.
- Outdoor or indoor use (allow sufficient ceiling height to be able to play at a maximum height of 3.05 m).
- When adjusting the height, keep you hands and fingers away from moving parts.
- It is essential that you check the state of repair of the system before every use. Never play using faulty equipment.
- Check the system (loose screws, excessive wear and signs of corrosion) and that parts wich fit together are firmly fastened (backboard, rim, frame, net, stability of the whole system) before each use. If necessary, repair before use.
- DO NOT HANG ON THE RIM, the net or any other part of the system, including the backboard and the frame.
- Do not climb, jump, slide or play on the system.
- Do not shake the frame.
- Risk of strangulation with the net.
- During play, especially when dunking, keep your face away from the backboard, rim and net. You risk serious injury if your theeth or face come into contact with the backboard, rim or net.
- Do not allow a child to adjust the system alone. It must be adjusted or moved by an adult only.

- Before play, remove your jewellery (rings, watches, necklaces, etc). These objects may get caught in the net.
- The ground surface under the system must be smooth, with no gravel or other sharp objects.
- Check the state of repair of the system (signs of corrosion like rust, holes, flaking) and repaint with outdoor enamel paint. If rust has worn through the steel at any point, replace the part immediately.
- Do not use the system when there are high winds and/or storms.

**Safety Instructions:**

NOT COMPLYING WITH THESE SAFETY INSTRUCTIONS MAY CAUSE SERIOUS PHYSICAL INJURY, MATERIAL DAMAGE AND/OR THE CANCELLATION OF THE WARRANTY.

- The owner must ensure that all players know and adhere to the instructions for using and assembling the system.
- Correctly and full assembly, use and supervision are essential for the system to work properly and to reduce the risks of accident or injury. Serious injuries are very likely if the system is not fitted, maintained and used correctly.
- If you use a ladder for assembly (solution not recommended for assembling this system), make sure you are extremely careful.
- Weather conditions, corrosion or misuse may damage the system.
- All EXIT Galaxy basketball systems, including those used for display, must be assembled, as per the instructions. If you do not adhere to these instructions you risk SERIOUS INJURIES.
- Most injuries are caused by misuse and/or not adhering to the instructions. Be careful when you use this system.

**Care and Warranty**

To ensure that your product lasts, we advise you to:

- Adhere to the usage and assembly procedures.
- Check the system before each use, loose screws, excessive wear and signs of corrosion) and if necessary make repairs.
- Regularly inspect and tighten screws and small parts to prevent slack and risks of injury.
- Do not use detergent products to care for the system. Wash with clear or soapy water.

**Use the accompanying parts list drawings as from page 44**

**Parts list #1**

<b>Part.Nr.</b>	<b>Description</b>	<b>#</b>
7	Upper Arm	2
42	Short Arm	2
38	Wall-mount frame	1
70	Bolt sleeve	1
39	Adjustment bracket	1
10	Backboard bracket	1
11	Arm Bracket	4
44	Upper adjustment pole	1
45	Middle adjustment pole	1
46	Bottom adjustment pole	1

**Parts list #2**

<b>Part.Nr.</b>	<b>Description</b>	<b>#</b>
D2	M8 Washer	4
15	M10 Plastic Washer	4
16	M12 Washer	6
D8	M12 Plastic Washer	4
C4	M12 Locknut	5
C3	M10 Locknut	3
C2	M8 Locknut	8
G1	M8 Spring Washer	4
A22	M12X225 Bolt	2
A26	M12X225 Button head Bolt	1
A4	M8X40 Bolt	4
A5	M8X50 Bolt	4
A11	M10X60 Bolt	2
A16	M10X115 Bolt	1
A19	M12X65 Bolt	2

*Enclosed are the current specifications and product features available at time of printing, however, changes may be made in equipment, availability, specifications and features without notice.*



### Parts list #3

Part.Nr.	Description	#
H1	M8X46 Plastic expansion pipe	4
A24	M8X60 Lag Screw	4
A25	M8X80 Steel Bolt	2
	Hex Key	1
19	Blackboard	1
20	Rim	1
48	Dunk Rim (flexible)	
21	Net	1

*Enclosed are the current specifications and product features available at time of printing, however, changes may be made in equipment, availability, specifications and features without notice.*

1

**Use the accompanying assembly drawings starting on page 47**

1. First, the distance from the wall-mount frame (38) to the ground is 2,560 mm.
2. Then, mark where the holes should be made according to the position of wall-mount frame
3. Drill the holes according to the markings on the wall.

2

1. Install two M8X80mm steel bolts (A25) in the top two holes.
2. Install the four M8X46 plastic expansion pipe (H1) into the wall.

3

Attach the arm bracket (11) using two M8X40mm Bolts (A4) and two M8 locknuts (C2) into the blackboard (19).

Repeat this step on the other side of the weight system.

4

**RIM (20):** Attach the backboard bracket (10) to the Rim (20) using four M8X50mm bolts (A5), four M8 spring washers (G1), four M8 washers (D2), four M8 locknuts (C2) assembly to blackboard (19).

**DUNK RIM (48):** Attach the Backboard Bracket(10) and Dunk Rim (48) with four M8X50mm Bolts (A5) , four M8 Spring Washers (G1) , four M8 Washers (D2), to Blackboard (19).

5

Attach the adjustment bracket (39) using an M10X115mm bolt (A16) and M10 locknut (C3) into the backboard bracket (10).

6

1. Attach the upper arm (7) to the arm bracket (11) using the M10X60mm bolt (A11), two M10 plastic washers (15), and an M10 locknut (C3).

Repeat this step on the other side of the weight system.

**Do not tighten the bolt yet.**

2. Attach the bolt sleeve (70) to upper arm (40) using an M12X225mm button head bolt (A26),two M12 washers (16) and an M12 locknut (C4).

**Do not tighten the bolt yet.**

7

Attach the short arm (42) to the backboard bracket (10) using an M12X225mm Bolt (A22), two M12 washers (16), and an M12 locknut (C4).

**Do not tighten the bolt yet.**

**8**

Install the wall-mount frame (38) to the upper arm (7) using two M12X65mm bolts (A19), four M12 plastic washers (D8), and two M12 locknuts (C4).

**Do not tighten the bolt yet.**

**9**

Install the wall-mount frame (38) to the short arm (42) using an M12X225mm bolt (A22), two M12 washers (16), and an M12 locknut (C4).

**Make sure all the bolts in the steps above are tighten. Do not over tighten the locknuts on the pivot parts.**

**10**

1. Assemble the upper adjustment pole (44) with middle adjustment pole (45).
2. Then, attach the bottom adjustment pole (46) to the middle adjustment pole (45).

**11**

1. First, the wall-mount frame (38) should be affixed using M8X80mm steel bolts (A25).
2. Then, assemble washers, spring washers and nuts. Install the wall-mount frame (38) with four M8 washers (D2) and four M8X60mm wooden screws (A24) into the wall.

Note: Make sure all the bolts in the steps above are tighten.

**12****Instructions**

A. Elevating the backboard height.

Push the rim upwards using the adjustment pole to increase the backboard height.

B. Lowering the backboard height:

1. First, push the adjustment bracket using the adjustment pole so that the backboard will descend to the lowest point.
2. Then, push rim upwards using the adjustment pole to increase the backboard height to a spot you prefer.



**Congratulations! Your EXIT Galaxy Basketball hoop is now fully assembled (put together).**

## Warranty

1. After the date of the purchase invoice, the owner of the EXIT Toys Galaxy System has a:
  - 2-year warranty on the the steel frame.
  - 1 year warranty on the backboard and rim.Parts subject to wear and tear (such as the net): **no warranty**.
2. The warranty applies only to the material and construction defects with respect to this product or its components.
3. The warranty becomes defunct if:
  - This product is used incorrectly and/or carelessly and is used in such a way that it does not comply with its purpose.
  - This product is not assembled and maintained according to the instruction booklet.
  - Technical repairs to this product are not carried out professionally.
  - Parts, which are mounted afterwards, do not comply with the technical specifications of the product concerned or are mounted incorrectly.
  - Defects are a result of climatic influences such as corrosion, UV rays or normal disintegration.
  - The product is rented out or was made available to various unspecified persons in any other manner.
4. EXIT Toys will repair or replace according to its choice all material and construction defects that have been ascertained by EXIT Toys during the warranty period.
5. The owner of the EXIT Toys Galaxy System is only entitled to the warranty by presenting the product for inspection at a EXIT Toys dealer. It should be handed to the EXIT Toys dealer, accompanied by the original purchase invoice.
6. In case of material and construction defects that have been ascertained by EXIT Toys, the product or its components will be repaired or replaced – according to its choice – free of charge during the warranty period mentioned in Article 1.
7. If the claim for warranty is not justifiable, all the costs are at the expense of the owner.
8. This warranty cannot be transferred to third parties.
9. The EXIT Toys Galaxy System is designed for personal use. It is not permitted to rent out or use the EXIT Toys Galaxy System in non-residential areas like schools, clubs or day-care centres. The guarantee and any other liabilities shall expire if the EXIT Toys Galaxy System is rented out or used in public areas.
10. Warranties shall cover damage or failure that occurs during the course of NORMAL or INTENDED USE of the product. Normal or intended use shall be described as activity that is necessary for the participation in the sport for which the equipment is designed. NOT COVERED is damage caused by deliberate hanging, multiple player hanging, vandalism, non-basketball activities or any other activity that could be regarded as abusive.



## 1.0 Einführung

Glückwunsch zur Wahl des EXIT Toys Galaxy Basketball Systems!

### **Amüsier dich, sei aktiv und spiele im Freien!**

Für diesen Spaß entwickeln wir innovative und hochwertige Spielzeuge für coole Kids.

Wir tun alles in unserer Macht stehende, um sichere Produkte für Kinder zu entwickeln. Da unsere Produkte als Spielzeuge klassifiziert werden, erfüllen wir die strengsten Sicherheitsvorschriften. Bevor unsere Produkte auf dem Markt kommen, veranlassen wir die Durchführung von unabhängigen Prüfungen zur Zertifizierung. Außerdem kontrollieren wir selbst ständig unsere Produktionsabläufe und lassen diese als weitere Kontrolle regelmäßig durch unabhängige Stellen überprüfen. Nur Produkte, die den höchsten EXIT Toys Standards gerecht werden, werden mit dem EXIT Toys label gekennzeichnet.

Wir danken Ihnen für Ihr Vertrauen in dieses Produkt. Und wir sind sicher, dass Ihre Kinder genau viel Spaß haben werden wie wir ihn während der Entwicklung hatten. Da wir aufgeschlossen sind, schätzen wir wirklich all Ihre Kommentare und Ideen, die uns bei der Verbesserung unserer Produkte bzw. bei der Entwicklung neuer Spielzeuge helfen. Sie sind herzlich eingeladen, uns Ihre Ideen unter [info@exittoys.com](mailto:info@exittoys.com) zu senden.

Besuchen Sie [www.exittoys.com](http://www.exittoys.com) und entdecken Sie weitere tolle neue Produkte.

Das EXIT Toys Team



## SICHERHEITSHINWEISE



EIN MISSACHTEN DIESER SICHERHEITSHINWEISE KANN ZU SCHWEREN VERLETZUNGEN UND/ODER SACHSCHÄDEN FÜHREN UND MACHT DIE GARANTIE UNWIRKSAM.

*Der Eigentümer muss sicherstellen, dass alle Spieler diese Regeln für einen sicheren Betrieb des Systems kennen und befolgen.*

Aus sicherheitsgründen darf dieses system nur unter sorgfältiger Beachtung der Anleitung zusammengebaut werden. eine ordnungsgemäße und vollständige Montage, Verwendung und Aufsicht ist für den richtigen Betrieb und zur Reduzierung des unfall- oder Verletzungsrisikos absolut erforderlich. Bei einer unsachgemäßen Installation und Wartung und bei einem falschen Betrieb dieses systems besteht ein hohes Risiko schwerer Verletzungen.

- Beim Gebrauch einer leiter während des Zusammenbaus extrem vorsichtig vorgehen.
- Es wird empfohlen, dass zwei (2) fähige Erwachsene diese Tätigkeit ausführen.
- Die einzelnen stangenteile richtig zusammenfügen (falls anwendbar). Andernfalls können sich die stangenteile beim spielbetrieb und/oder während des Transports des systems voneinander lösen.
- Klimatische Bedingungen, Korrosion oder Fehlgebrauch kann zu systemdefekten führen.
- Technische unterstützung kann vom Kundendienst angefordert werden.
- Die Mindestspielhöhe beträgt 1,98m (6,6 Fuß) bis zur unterkante der Korbwand.
- Dieses Gerät ist für die Freizeitnutzung daheim und NICHT für anspruchsvolle Wettbewerbspiele geeignet.
- Lesen Sie bitte den Warnhinweis, der auf dem Pfosten angebracht ist.
- Die Lebensdauer Ihres Basketballpfostens hängt von vielen Faktoren ab. Ausschlaggebend sind hier Klima, der Aufstellort und die Platzierung des Pfostens und die Belastung durch korrodierende Substanzen wie Pestizide, Herbizide oder Salze, denen er ausgesetzt ist.
- Die Höhenregulierung sollte unter Aufsicht von Erwachsenen stattfinden.

- Hängen Sie sich nicht an den Ring



*Die meisten Verletzungen werden durch einen Fehlgebrauch bzw. ein Missachten der Anleitungen verursacht. Bei der Verwendung dieses Geräts vorsichtig vorgehen.*

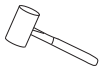
## ERFORDERLICHES WERKZEUG



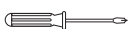
- Zwei (2) fähige Erwachsene



- Bandmaß



- Hammer



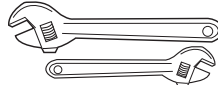
- Kreuzschlitz-schraubendreher Nr.2 oder Nr. 3



- Schutzbrille



- Stufenleiter 2,4 m (8 Fuß)



- große und kleine verstellbare Schraubenschlüssel



- Bohrmaschine



- Wasserwaage



- Bleistift

**Allgemeine gebrauchshinweise**

- Gebrauchsanleitung bitte vor der Verwendung lesen und während der gesamten Lebensdauer des Produktes aufbewahren.
- Warnung! Das Produkt ist aufgrund der Kleinteile für Kinder unter 3 Jahren nicht geeignet. Erstickungsrisiko.

**ACHTUNG**

- Überprüfen Sie regelmäßig die wichtigen Teile dieses Produkts (Brett, Ring, Rahmen, Befestigung, usw.), um sich vom tadellosen Zustand des Produkts zu überzeugen. Ohne regelmäßige Kontrollen können Schäden am Product unbemerkt bleiben und zu Risiken für den Nutzer führen.
- Wir empfehlen Ihnen, Ihr Brett mit einer Bodenbefestigung zu verwenden.
- Jede unsachgemäße Verwendung dieses Geräts ist nicht zulässig.
- Die Nichteinhaltung der unten aufgeführten Sicherheitshinweise kann zu schweren körperlichen Verletzung führen.
- Nur für den privaten Gebrauch bestimmt.
- Produkt ist ausschließlich für eine erste Einführung in das Basketballspiel gedacht.

**BEI DER MONTAGE**

- Die Montage muss unbedingt von 2 Erwachsenen durchgeführt werden.
- Beachten Sie die Montagehinweise (mitgelieferte Schemata und Beschreibungen)
- Überprüfen Sie bei einem Baufachmann vor Befestigung des Produktes, ob die Schrauben für die Befestigungsunterlage geeignet sind.
- Wenn Sie die Höhe einstellen oder das Gerät an einen anderen Ort bewegen, halten Sie die Hände und Finger von beweglichen Teilen fern.

**LAGERUNG**

- Wenn das Produkt draußen gelagert wird, muss es fern von persönlichen Gegenständen, freihängenden Kabeln und/oder an einem windgeschützten Ort aufbewahrt werden.

**Gebrauchshinweise während des spiels**

- Lesen Sie die unten aufgeführten Hinweise, bevor Sie das Produkt verwenden. Die Nichteinhaltung der Sicherheitshinweise kann zu schweren körperlichen Verletzungen und/oder Materialschäden führen.
- Die Verwendung des Produkts von einem Kind muss unter ständiger Aufsicht eines Erwachsenen erfolgen.
- In- und Outdoornutzung (setzt eine ausreichende Deckenhöhe voraus, um bei einer maximalen Höhe von 3.05 Meter spielen zu können).
- Bei der Höheneinstellung des Produkts achten sie darauf, mit den Händen und Fingern nicht in die Nähe beweglicher Teile zu gelangen.
- Es ist unbedingt erforderlich, den tadellosen Zustand des Produkts vor jeder Verwendung zu überprüfen. Spielen Sie niemals mit beschädigten Materialien.
- Überprüfen Sie das System (nicht festgezogene Schrauben, übermäßige Abnutzung und Korrosionsspuren) und die Befestigungselemente (Brett, Ring, Rahmen, Netz, Systemstabilität) vor jeder Verwendung. Reparieren Sie ggf. Vor der weiteren Verwendung die beschädigten Teile.
- HÄNGEN SIE SICH NICHT AN DEN RING, ans Netz oder auf ein anderes Teil des Systems, einschließlich des Bretts und der Träger. Nicht auf das System steigen.
- Nicht am Rahmen rütteln.
- Strangulierungsgefahr beim Netz.
- Während des Spiels, vor allem während eines Schmetterballs, achten Sie auf das Brett, das Ring und das Netz, um nicht dagegen zu stoßen.
- Überlassen Sie den Transport oder das Einstellen des Geräts niemals einem Kind. Dies darf nur durch einen Erwachsenen erfolgen.



- Legen Sie vor dem Spielen sämtlichen Schmuck ab (Ringe, Uhren, Ketten, usw.). Diese Gegenstände können sich im Netz verfangen.
- Überprüfen Sie den Zustand des Systems (Korrosionszeichen wie Rost, Lochfraß, Verfärbungen) und lackieren Sie es erneut mit der Emaillfarbe für draußen. Wenn durch den Rost an einer Stelle des Pfostens Löcher entstanden sind, muss er sofort ersetzt werden.
- Verwenden Sie das System nicht an sehr windigen und/oder stürmischen Tagen.
- Wenn Sie das System an einen anderen Platz stellen wollen, seien Sie vorsichtig.

### **Sicherheitshinweise**

- DIE NICHT-EINHALTUNG DER SICHERHEITSHINWEISE KANN ZU SCHWEREN KÖRPERLICHEN VERLETZUNGEN, MATERIALSCHÄDEN UND/ODER ZUM VERFALL DER GARANTIE FÜHREN.
- Der Eigentümer muss sich davon überzeugen, dass alle Spieler die Nutzungs- und Montagehinweise kennen und erhalten. Eine korrekte und vollständige Montage, Benutzung und Aufsicht sind unerlässlich für ein tadelloses Funktionieren und die Minimierung von Unfällen oder Verletzungen. Schwere Verletzungen sind die mögliche Folge, wenn das System nicht richtig installiert, gewartet und verwendet wurde.
- Wenn Sie bei der Montage eine Leiter verwenden (nicht empfohlen), seien Sie besonders vorsichtig.
- Überprüfen Sie regelmäßig den Sockel, um sich davon zu überzeugen, dass er nicht verrutschen kann.
- Die klimatischen Bedingungen, Korrosion oder eine unsachgemäße Verwendung können zu Schäden am System führen.
- Alle EXIT Galaxy-Basketballsysteme, einschließlich jener, die zu Ausstellungszwecken verwendet werden, müssen zusammengebaut gemäß den Anweisungen, um SCHWERE VERLETZUNGEN zu vermeiden.
- Die meisten Verletzungen entstehen aus einer unsachgemäßen Verwendung und/oder der Nichteinhaltung der Anweisungen. Seien Sie bei der Verwendung des Systems stets vorsichtig.

### **WARTUNG UND GARANTIE**

Um die Nutzungsdauer des Produkts zu gewährleisten, beachten Sie die folgenden Empfehlungen:

- Befolgen Sie die Nutzungs- und Montagehinweise.
- Überprüfen Sie das System vor jeder Verwendung (lockere Schrauben, übermäßige Abnutzung und Korrosionszeichen) und tauschen Sie ggf. beschädigte Teile aus.
- Kontrollieren Sie regelmäßig die Schrauben und Kleinteile und ziehen Sie sie fest, um zu vermeiden, dass beim Spielen Verletzungen entstehen.
- Keine Reinigungsmittel für die Pflege des Systems verwenden. Mit klarem oder seifenhaltigem Wasser reinigen.

**Verwenden Sie die beiliegenden Teileliste Zeichnungen ab Seite 44**

### **Teileliste #1**

<b>Teile Nr.</b>	<b>Beschreibung</b>	<b>#</b>
7	Oberer Träger	2
42	Kurzes Ende	2
38	Wandhalterung	1
70	Schraubenhülse	1
39	Einstell-Klammer	1
10	Korbbretthalter	1
11	Trägerhalter	4
44	Obere Einstell-Stange	1
45	Mittlere Einstell-Stange	1
46	Untere Einstell-Stange	1

### **Teileliste #2**

<b>Teile Nr.</b>	<b>Beschreibung</b>	<b>#</b>
D2	M8 Unterlegscheibe	4
15	M10 Kunststoff-Unterlegscheibe	4
16	M12 Unterlegscheibe	6
D8	M12 Kunststoff-Unterlegscheibe	4
C4	M12 Sicherungsmutter	5
C3	M10 Sicherungsmutter	3
C2	M8 Sicherungsmutter	8
G1	M8 Federscheibe	4
A22	M12X225 Schraube	2
A26	M12X225 Rundkopfschraube	1
A4	M8X40 Schraube	4
A5	M8X50 Schraube	4
A11	M10X60 Schraube	2
A16	M10X115 Schraube	1
A19	M12X65 Schraube	2

*Hierin aufgeführt sind die Spezifikation und Produkteigenschaften, wie sie zum Zeitpunkt des Drucks gültig waren. Produkt, Verfügbarkeit, Spezifikationen und Eigenschaften können sich jedoch ohne vorherige Ankündigung ändern.*

**Teileliste #3**

<b>Teile Nr.</b>	<b>Beschreibung</b>	<b>#</b>
H1	M8X46 Kunststoff-Verlängerungsrohr	4
A24	M8X60 Holzschraube	4
A25	M8X80 Schraube	2
	Innensechskantschraubenschlüssel	1
19	Korbbrett	1
20	Rand	1
48	Dunk Rand	
21	Netz	1

*Hierin aufgeführt sind die Spezifikation und Produkteigenschaften, wie sie zum Zeitpunkt des Drucks gültig waren. Produkt, Verfügbarkeit, Spezifikationen und Eigenschaften können sich jedoch ohne vorherige Ankündigung ändern.*

1

**Verwenden Sie den beiliegenden Montage  
Zeichnungen ab Seite 47**

1. Der Abstand von der Wandhalterung (38) zum Boden beträgt 2,560 mm.
2. Dann markieren Sie, wo die Löcher entsprechend der Position der Wandhalterung angebracht werden sollen
3. Bohren Sie die Löcher entsprechend den Markierungen auf der Wand.

2

1. Montieren Sie zwei M8X80 mm Schraubenaugen (A25) in die beiden oberen Löcher.
2. Montieren Sie vier M8X46 Kunststoff-Verlängerungsrohre (H1) in die Wand.

3

Befestigen Sie den Trägerhalter (11) verwenden Sie zwei M8X40 mm Schrauben (A4) und zwei M8 Sicherungsmuttern (C2) in das Zielbrett (19). Wiederholen Sie diesen Schritt auf der anderen Seite des Gewichtssystems.

4

**RAND (20):** Befestigen Sie den Korbbretthalter (10) am Ring (20) verwenden Sie vier M8X50 mm Schrauben (A5), vier M8 Federringe (G1), vier M8 Unterlegscheiben (D2), vier M8 Sicherungsmuttern (C2) das Zusammengebaute an dem Zielbrett (19).

**DUNK RAND (48):** Befestigen Sie den Korbbretthalter (10) am Dunk Ring (48) verwenden Sie vier M8X50 mm Schrauben (A5), vier M8 Federringe (G1), vier M8 Unterlegscheiben (D2) das Zusammengebaute an dem Zielbrett (19).

5

Befestigen Sie die Korbwandklammer (39) verwenden Sie dabei eine M10X115 mm Schraube (A16) und M10 Sicherungsmutter (C3) in den Korbbretthalter (10).

6

1. Befestigen Sie den oberen Träger (7) am Trägerhalter (11) verwenden Sie die M10X60 mm Schraube (A11), zwei M10 Kunststoff-Unterlegscheiben (15), und eine M10 Sicherungsmutter (C3).

Wiederholen Sie diesen Schritt an der anderen Seite des Gewichtssystems.

**Ziehen Sie die Schraube noch nicht an.**

2. B. Befestigen Sie die Schraubenhülse (70) am oberen Träger (40) verwenden Sie eine M12X225 mm Rundkupf Schraube (A26), zwei M12 Unterlegscheiben (16) und eine M12 Sicherungsmutter (C4).

**Ziehen Sie die Schraube noch nicht an.**

7

Befestigen Sie den kurzen Träger (42) am Korbbretthalter (10) verwenden Sie eine M12X225 mm Schraube (A22), zwei M12 Unterlegscheiben (16), und eine M12 Sicherungsmutter (C4).

**Ziehen Sie die Schraube noch nicht an.**

**8**

Montieren Sie die Wandhalterung (38) an den oberen Träger (7) verwenden Sie zwei M12X65 mm Schrauben (A19), vier M12 Kunststoff-Unterlegscheiben (D8), und zwei M12 Sicherungsmuttern (C4). **Ziehen Sie die Schraube noch nicht an.**

**9**

Montieren Sie die Wandhalterung (38) am kurzen Träger (42) verwenden Sie eine M12X225 mm Schraube (A22), zwei M12 Unterlegscheiben (16), und eine M12 Sicherungsmutter (C4). **Vergewissern Sie sich, dass alle in den obigen Schritten verwendeten Schrauben gut angezogen sind. Überdrehen Sie die Sicherungsmuttern der drehbaren Teile nicht.**

**10**

1. Montieren Sie die obere Einstell-Stange (44) an die mittlere Einstell-Stange (45).
2. Dann befestigen Sie die untere Einstell-Stange (46) an die mittlere Einstell-Stange (45).

**11**

1. Zunächst den Rahmen die Wandhalterung (38) befestigen mit M8X80 mm Stahlschrauben (A25).
2. Dann montieren Sie Unterlegscheiben, Federringen und Muttern. Montieren Sie die Wandhalterung (38) mit vier M8 Unterlegscheiben (D2) und vier M8X60 mm Holzschrauben (A24) in die Wand.

Bitte beachten: Vergewissern Sie sich, dass alle in den obigen Schritten verwendeten Schrauben gut angezogen sind. **Überdrehen Sie die Sicherungsmuttern der drehbaren Teile nicht.**

**12****Anweisung**

- A. Die Höhe der Korbwand nach oben verstellen.  
Drücken Sie den Rand nach oben. Benutzen Sie die Einstell-Stange, um die Höhe der Korbwand zu vergrößern.
- B. Die Höhe der Korbwand reduzieren:
1. Zunächst drücken Sie die Korbwandklammer nach oben indem Sie die Einstell-Stange bewegen, sodass das Korbbrett auf seine unterste Stellung sinkt.
  2. Dann drücken Sie den Rand nach oben bis auf der Einstell-Stange das gewünschte Loch erreicht wird.



**Herzlichen Glückwunsch! Ihr EXIT Galaxy Basketballkorb ist nun montiert und bereit zum Gebrauch!**

## 7.0 Garantie

1. Der Besitzer des EXIT Toys Galaxy Systems erhält nach dem Datum der Kaufquittung:
  - 2 Jahre Garantie auf den Stahlrahmen.
  - 1 Jahr Garantie auf dem Board und Korb.Verschleißteile (wie das Netz): **keine Garantie.**
2. Die Garantie gilt ausschließlich für Material- und Konstruktionsfehler in Bezug auf dieses Produkt oder Einzelteile davon.
3. Die Garantie verfällt, wenn:
  - Dieses Produkt falsch und/oder nicht sorgfältig benutzt und zu Zwecken benutzt wird, die nicht dem Benutzungszweck entsprechen.
  - Dieses Produkt nicht entsprechend den Montage- und Wartungsanweisungen montiert und gewartet wurde.
  - Technische Reparaturen an diesem Produkt nicht auf fachkundige Weise durchgeführt wurden.
  - Später montierte Einzelteile nicht übereinstimmen mit den technischen Spezifikationen des betreffenden Produkts oder falsch montiert sind.
  - Mängel infolge klimatischer Einflüsse wie Rost, UV-Strahlung oder normaler Verwitterung.
  - Das Produkt vermietet wird oder auf andere Weise mehreren unbefugten Personen zur Verfügung steht.
4. Während der Garantieperiode werden alle von EXIT Toys festgestellten Material- oder Konstruktionsfehler von EXIT Toys nach eigenem Ermessen repariert oder ersetzt.
5. Der Besitzer des EXIT Toys Galaxy Systems kann nur Anspruch auf die Garantie erheben, indem er das Produkt dem EXIT Toys Händler zur Begutachtung zur Verfügung stellt. Hierzu muss dem EXIT Toys Händler der original Kaufquittung übergeben werden.
6. Stellt EXIT Toys Material- oder Konstruktionsfehler fest, wird das Produkt oder Einzelteile davon während der in Artikel 1 genannten Garantieperiode von EXIT Toys nach eigenem Ermessen kostenlos repariert, bzw. ersetzt.
7. Ist der Anspruch auf die Garantie nicht gerechtfertigt, gehen alle entstandenen Kosten zu Lasten des Besitzers des EXIT Toys Galaxy Systems.
8. Die Garantie ist nicht an Dritte übertragbar.
9. Das EXIT Galaxy System ist für den privaten Gebrauch vorgesehen. Sie dürfen nicht vermietet oder auf (semi-)öffentlichen Plätzen wie Schulen, Vereine und Kindertagesstätten verwendet werden. Bei Vermietung oder Verwendung auf öffentlichen Plätzen verfällt jede Garantie sowie weitere Verantwortlichkeit.
10. Garantie erstreckt Beschädigungen oder Fehlfunktionen, die im Laufe des NORMAL oder VERWENDUNGSZWECK der Ware erfolgt. Normal oder beabsichtigten Verwendung gelten als Aktivität, die für die Teilnahme an den Sport, für die das Gerät ausgelegt ist notwendig, beschrieben werden. Nicht gedeckt sind Schaden verursacht durch vorsätzliches hängen, mehrere Spieler hängen, Vandalismus, nicht-Basketball-Aktivitäten oder anderen Tätigkeiten, die als missbräuchlich angesehen werden können.



## 1.0 Introductie

Gefeliciteerd met de aanschaf van uw Galaxy Basketball systeem van EXIT Toys!

### **Pret maken, actief leven en buiten spelen.....**

Dat is onze motivatie om innovatief en kwalitatief speelgoed te ontwikkelen voor coole kinderen.

We doen er alles aan om producten te ontwikkelen die veilig zijn voor kinderen. Aangezien onze producten worden geclassificeerd als speelgoed, voldoen we aan de strengste normen op het vlak van consumentveiligheid. Voordat we een product op de markt brengen, laten we onafhankelijke tests uitvoeren voor de vereiste certificaten. We voeren ook voortdurend controles uit tijdens de productie en we laten regelmatig nieuwe onafhankelijke tests uitvoeren als extra controle. Enkel de producten die voldoen aan de strengste normen van EXIT Toys krijgen het EXIT Toys merk.

Wij stellen het zeer op prijs dat u bij ons klant bent en danken u voor het vertrouwen in dit product. We zijn er zeker van dat uw kinderen evenveel van dit product zullen genieten als wij tijdens de ontwikkeling ervan. Omdat we open staan voor uw mening, zijn uw opmerkingen en ideeën steeds welkom zodat we onze producten nog kunnen verbeteren en nieuwe kunnen ontwikkelen. Neem daarom gerust contact op via [info@exittoys.com](mailto:info@exittoys.com).

Bezoek de wereld van EXIT Toys op [www.exittoys.com](http://www.exittoys.com) en ontdek ook onze andere stoere en nieuwe buitenspeel producten.

Het team van EXIT Toys





## VEILIGHEIDSINSTRUCTIES



NEGEREN VAN DEZE INSTRUCTIES KAN LEIDEN TOT ERNSTIG LETSEL EN/OF SCHADE AAN BEZITTINGEN EN ZAL DE GARANTIE ONGELDIG MAKEN.

*De eigenaar moet ervoor zorgen dat alle spelers deze regels voor een veilige werking van het systeem kennen en volgen.*

Om de veiligheid te garanderen, mag u niet proberen om dit systeem te monteren zonder de instructies aandachtig door te nemen en te volgen. Controleer de gehele doosinhoud, en al het verpakkingsmateriaal voor onderdelen en/of extra instructie materiaal. Voordat u begint met de montage, lees eerst de instructies en identificeer de onderdelen met behulp van de hardware-id en onderdelenlijst in dit document. Juiste en volledige montage, juist gebruik en toezicht zijn essentieel voor een goede werking én om het risico van een ongeval of letsel te verminderen. Er bestaat een grote kans op ernstig letsel als dit systeem niet naar behoren is geïnstalleerd, onderhouden en gebruikt.

- Wees uiterst voorzichtig bij het gebruik van een ladder tijdens de montage.
- Het is aanbevolen dat deze installatie wordt gedaan door twee (2) capabele volwassenen.
- Bevestig de framebuizen goed (indien van toepassing). Anders kunnen de framebuizen tijdens het spel en/of tijdens transport losraken van elkaar.
- Klimatologische omstandigheden, roest of misbruik kunnen tot een defect systeem leiden.
- Technische ondersteuning kan worden verkregen via de klantenservice.
- De minimale hoogte is 1.98m spel (6,6 voet) tot aan de onderste rand van het bord.
- Deze apparatuur is alleen bedoeld voor thuis recreatie en NIET voor intensieve competitieve spelen.
- Lees en begrijp het waarschuwingsetiket welke aan de paal bevestigd is
- De levensduur van uw basketbalpaal hangt af van vele factoren. Het klimaat, de positie van de paal, de locatie van de paal, blootstelling aan bijtende stoffen zoals pesticiden, herbiciden of zouten zijn allemaal belangrijk.
- Het toezicht van een volwassene tijdens het aanpassen van de hoogte is aanbevolen.

- NIET AAN DE RING HANGEN



*De meeste blessures worden veroorzaakt door verkeerd gebruik of het niet respecteren van de instructies. Wees voorzichtig bij het gebruik van dit apparaat.*

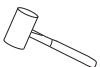
## BENODIGD GEREEDSCHAP



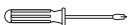
- Twee(2) capabele volwassenen



- Rolmaat



- Hamer



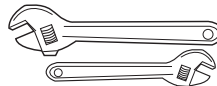
- Kruiskopschroeven-draaier, Nr.2 of Nr. 3



- Veiligheidsbril



- Ladder 2.4mtr (8ft)



- Een grote en kleine baco



- Boormachine



- Waterpas



- Potlood

**Waarschuwingen voor algemeen gebruik**

- Lees voor gebruik de voorschriften en bewaar deze gedurende de complete levensduur van het product.
- Let op ! Niet geschikt voor kinderen jonger dan 3 jaar, bevat kleine onderdeeltjes. Verstikkingsgevaar.

**Pas op**

- Controleer regelmatig de belangrijke onderdelen van het product (bord, ring, frame, bevestiging etc.) om u ervan te overtuigen dat het product in goede staat verkeert. Zonder deze regelmatige controles zou het product kunnen omvallen, of andere gevaren kunnen opleveren voor de gebruiker.
- We raden u aan om het bord bij gebruik op de grond te bevestigen.
- Dit product mag niet op een onjuiste manier worden gebruikt.
- Het niet naleven van de veiligheidsadviezen kan leiden tot ernstige fysieke schade.
- Uitsluitend voor thuisgebruik.
- Product uitsluitend geschikt voor eerste kennismaking met het Basketbal spel.

**Tijdens de montage**

- De montage mag uitsluitend worden uitgevoerd door 2 volwassenen.
- Houd u aan de montagevoorschriften (schema's en tekst bijgevoegd)
- Bevestigingsmiddelen voor op de grond niet meegeleverd.
- Controleer vooraf bij een bouwkundig professional of de schroeven die u wilt gebruiken voor de bevestiging van het frame geschikt zijn voor dit doel.

**Opbergen**

- Indien het product buiten wordt opgeborgen, dan dient het uit de buurt van persoonlijke goederen en hangende kabels te worden gehouden.

**Waarschuwing bij gebruik tijdens spel:**

- Lees de waarschuwingen hieronder voordat u hier product gaat gebruiken. Het niet naleven van de veiligheidsvoorschriften kan leiden tot ernstige fysieke of materiële schade.
- Bij gebruik door kinderen dient een volwassene voortdurend toezicht te houden.
- Zowel binnen als buiten te gebruiken (zorg ervoor dat het plafond hoog genoeg is, zodat met een hoogte van max. 3m05 gespeeld kan worden.)
- Houd tijdens het instellen van de hoogte uw handen en vingers uit de buurt van bewegende onderdelen.
- U dient voor gebruik te allen tijde eerst te controleren of het systeem in goede staat verkeert. Speel nooit met beschadigd materiaal.
- Controleer voor elk gebruik het systeem (schroeven voldoende aangedraaid, tekenen van buitensporige slijtage of corrosie), en de samen te voegen onderdelen (bord, ring, frame, net, algehele stabiliteit). Voer voor gebruik eventuele reparaties uit.
- NIET AAN DE RING, het net of een ander onderdeel van het frame gaan hangen (zoals het bord, of de steunen).
- Niet op het frame klimmen of springen.
- Niet schudden aan het frame.
- Pas op met het net: verwurgingsgevaar.
- Wanneer u tijdens het spel smasht, houd uw gezicht dan uit de buurt van het bord, de ring het het het. Wanneer het gezicht of de tanden tegen het bord, de ring of het net stoten, dan kan dit tot ernstige verwondingen leiden.
- Laat het verplaatsen of instellen van het frame nooit over aan een kind: dit dient uitsluitend door een volwassene te worden uitgevoerd.
- Verwijder voordat u gaat spelen alle sieraden (ringen, horloges, kettingen et.). Deze voorwerpen kunnen in het net vast blijven zitten.

- Controleer de staat van het systeem (corrosie of roestplekken, doorboringen, afbladering) en schilder deze plekken over met lakverf voor buiten. Indien de roest op een bepaalde plaats door het staal heen is gegaan, dan dient het betreffende onderdeel direct te worden vervangen.
- Gebruik het systeem nooit bij harde wind en/of stormachtig weer.
- Wees voorzichtig bij het verplaatsen van het systeem.

### **Veiligheidsvoorschriften**

- HET NIET NALEVEN VAN DE VEILIGHEIDSVOORSCHRIFTEN KAN LEIDEN TOT ERNSTIGE FYSIEKE VERWONDINGEN, MATERIËLE SCHADE EN/OF VERVALLEN VAN DE GARANTIE.
- De eigenaar dient ervoor te zorgen dat alle gebruikers de veiligheidsvoorschriften voor gebruik en montage kennen en opvolgen.
- Voor het goed functioneren van het product en het voorkomen van ongelukken en verwondingen is het noodzakelijk te zorgen voor een goede montage, een correct gebruik en voldoende toezicht. Indien het systeem niet correct is geïnstalleerd, onderhouden of gebruikt, dan is er een reële kans op het ontstaan van ernstige verwondingen.
- Indien u een trap gebruikt bij de montage (een oplossing die voor de montage van dit frame wordt afgeraden), ga dan voorzichtig te werk.
- Door klimatologische omstandigheden, corrosie of een onjuist gebruik kan het frame beschadigd raken.
- Voor alle EXIT Galaxy basketbalsystemen inclusief de Showroommodellen geldt dat ze gemonteerd dienen te worden volgens de instructies. Voorkom ERNSTIGE VERWONDINGEN en houd u aan de voorschriften. De meeste ernstige verwondingen komen voort uit onjuist gebruik en/of het niet naleven van de voorschriften. Wees voorzichtig bij het gebruik van dit frame.

### **Onderhoud en garantie**

- Om zo lang mogelijk gebruik te kunnen maken van het product, raden we u het volgende aan:
- Houd u aan de gebruiks- en montagevoorschriften
- Controleer voor elk gebruik of het frame in goede staat verkeert (schroeven aangedraaid, buitensporig slijtage of corrosie) en voer zo nodig reparaties uit.
- Controleer regelmatig schroeven en kleine onderdelen op speling om verwondingen te voorkomen.
- Gebruik nooit reinigingsproducten voor de onderhoud van het frame. Schoonmaken met water of een sopje.

**Gebruik de bijbehorende onderdelenlijst afbeeldingen vanaf pagina 44**

**Onderdelenlijst #1**

Ond.Nr.	Omschrijving	#
7	Bovenste arm	2
42	Onderste arm	2
38	Frame voor wandmontage	1
70	Boutbus	1
39	Afstelsteun	1
10	Bordsteun	1
11	Armsteun	4
44	Bovenste afstelpaal	1
45	Middelste afstelpaal	1
46	Onderste afstelpaal	1

**Onderdelenlijst #2**

Ond.Nr.	Omschrijving	#
D2	M8 Sluistring	4
15	M10 Plastic Sluistring	4
16	M12 Sluistring	6
D8	M12 Plastic Sluistring	4
C4	M12 Borgmoer	5
C3	M10 Borgmoer	3
C2	M8 Borgmoer	8
G1	M8 Veerring	4
A22	M12X225 Bout	2
A26	M12x225 Cilinderkop bout	1
A4	M8X40 Bout	4
A5	M8X50 Bout	4
A11	M10X60 Bout	2
A16	M10X115 Bout	1
A19	M12X65 Bout	2

*Bijgevoegd zijn de actuele specificaties en producteigenschappen op het moment van printen. De apparatuur, beschikbaarheid, specificaties en eigenschappen kunnen echter zonder aankondiging veranderen.*

**Onderdelenlijst #3**

Ond.Nr.	Omschrijving	#
H1	M8X46 Plastic verlengbuis	4
A24	M8X60 Houtdraadbout	4
A25	M8X80 Stalen bout	2
	Binnenzeskant sleutel	1
19	Bord	1
20	Ring	1
48	Dunk Ring	
21	Net	1

*Bijgevoegd zijn de actuele specificaties en producteigenschappen op het moment van printen. De apparatuur, beschikbaarheid, specificaties en eigenschappen kunnen echter zonder aankondiging veranderen.*

1

**Gebruik de bijbehorende  
montagetekeningen vanaf pagina 47**

1. Eerst, de afstand van het frame voor wandmontage (38) tot de grond is 2,560 mm.
2. Markeer vervolgens waar de gaten moeten worden gemaakt volgens de plaats van het frame voor wandmontage,
3. Boor de gaten volgens de markeringen op de wand.

2

1. Bevestig twee M8x80mm stalen bouten (A25) in de bovenste twee gaten.
2. Bevestig de vier M8x46 plastic verlengpijpen (H1) in de wand.

3

Bevestig de armsteun (11) met twee M8X40mm bouten (A4) en twee M8 borgmoeren (C2) in het zwarte bord (19).

Herhaal deze stap aan de andere kant van het gewichtssysteem.

4

**RING (20):** Bevestig de bordsteun (10) aan de Ring (20) met vier M8X50mm bouten (A5), vier M8 veerringen (G1), vier M8 sluitringen (D2), vier M8 borgmoeren (C2) montage aan het zwarte bord (19).

**DUNK RING (48):** Bevestig de bordsteun (10) aan de Dunk Ring (48) met vier M8X50mm bouten (A5), vier M8 veerringen (G1) en vier M8 sluitringen (D2) aan het zwarte bord (19).

5

Bevestig de afstelsteun (39) met een M10X115mm bout (A16) en M10 borgmoer (C3) in de bordsteun (10).

6

1. Bevestig de bovenste arm (7) aan de armsteun (11) met de M10X60mm bout (A11), twee M10 plastic sluitringen (15), en een M10 borgmoer (C3).

Herhaal deze stap aan de andere kant van het gewichtssysteem.

**Draai de bout nog niet vast.**

2. Bevestig de bouthuls (70) aan de bovenste arm (40) met een M12X225mm cilinderkop bout (A26), twee M12 sluitringen (16) en een M12 borgmoer (C4).

**Draai de bout nog niet vast.**

7

Bevestig de korte arm (42) aan de bordsteun (10) met een M12X225mm bout (A22), twee M12 sluitringen (16) en een M12 borgmoer (C4).

**Draai de bout nog niet vast.**

**8**

Bevestig het frame voor wandmontage (38) aan de bovenste arm (7) met twee M12X65mm bouten (A19), vier M12 plastic sluitringen (D8) en twee M12 borgmoeren (C4).

**Draai de bout nog niet vast.**

**9**

Bevestig het frame voor wandmontage (38) aan de korte arm (42) met een M12X225mm bouten (A22), twee M12 sluitringen (16) en een M12 borgmoeren (C4).

**Opmerking: Zorg dat alle bouten in de bovenstaande stappen gelijk zijn vastgedraaid. Draai de borgmoeren op de draaiende delen niet vast.**

**10**

1. Monteer de bovenste afstelpaal (44) met de middelste afstelpaal (45).
2. Bevestig vervolgens de onderste afstelpaal (46) met de middelste afstelpaal (45).

**11**

1. Eerst moet het frame voor wandmontage (38) vast worden gemaakt met M8X80mm stalen bouten (A25).
2. Bevestig nu de ringen, veerringen en moeren. Bevestig het frame voor wandmontage (38) met vier M8 sluitringen (D2) en vier M8x60mm houten schroeven (A24) in de wand.

**Opmerking: Zorg dat alle bouten in de bovenstaande stappen gelijk zijn vastgedraaid. Draai de borgmoeren op de draaiende delen niet vast.**

**12****Aanwijzingen**

A. Verhogen van het bord:

Druk de ring met de afstelstang naar boven om het bord te verhogen.

B. Verlagen van het bord:

1. Druk als eerste de afstelhendel naar boven met de afstelstang, zodat het bord naar het laagste punt zakt.
2. Druk vervolgens de ring naar boven om het bord te verhogen tot de door u gewenste positie.



**Gefeliciteerd! Uw EXIT Galaxy Basketball systeem is gemonteerd en klaar voor gebruik!**

## 7.0 Garantie

1. De eigenaar van het EXIT Toys Galaxy systeem heeft na de datum van de aankoopnota:
  - 2 jaar garantie op het stalen frame.
  - 1 jaar garantie op het bord en de ring.Onderdelen die aan slijtage onderhevig zijn (zoals het net): **geen garantie.**
2. De garantie geldt uitsluitend voor materiaal- en constructiefouten ten aanzien van dit product of onderdelen daarvan.
3. De garantie vervalt als:
  - Dit product onjuist en/of onzorgvuldig gebruikt is en gebruikt wordt dat niet overeenkomstig bestemming is.
  - Dit product niet conform het instructieboekje geassembleerd en onderhouden is.
  - Technische reparaties aan dit product niet op vakkundige wijze verricht zijn.
  - Naderhand gemonteerde onderdelen niet overeenkomen met de technische specificaties van het betreffende product, of onjuist gemonteerd zijn.
  - Gebreken als gevolg van klimatologische invloeden, zoals roest, UV-straling of normale verwerking.
  - Het product wordt gebruikt voor verhuur of op andere wijze aan meerdere ongespecificeerde personen ter beschikking staat.
4. Gedurende de garantieperiode zullen alle door EXIT Toys vastgestelde materiaal- of constructiefouten ter keuze van EXIT Toys worden gerepareerd, danwel worden vervangen.
5. De eigenaar van het EXIT Galaxy systeem kan slechts aanspraak maken op de garantie door het product ter inspectie aan te bieden bij een EXIT Toys dealer. Hierbij dient de originele aankoopnota aan de EXIT Toys dealer te worden overhandigd.
6. In geval van door EXIT Toys vastgestelde materiaal- of constructiefouten, zal het product of zullen onderdelen daarvan gedurende de in artikel 1 genoemde garantieperiode ter keuze van EXIT Toys gratis worden gerepareerd, danwel gratis worden vervangen.
7. Indien de garantieaanvraag niet terecht is, zijn alle gemaakte kosten voor rekening van de eigenaar.
8. De garantie is niet overdraagbaar aan derden.
9. Het is niet toegestaan het EXIT Galaxy systeem te verhuren of te plaatsen op openbare plaatsen zoals scholen en kinderdagverblijven. Bij verhuur of gebruik op openbare plaatsen vervalt iedere garantie of vervallen andere aansprakelijkheden.
10. Garantie dekt schade of storing die optreedt tijdens normaal of beoogd gebruik van het product. Normaal of beoogd gebruik wordt beschreven als activiteit die noodzakelijk is voor de deelname aan de sport waarvoor het apparaat is ontwikkeld is. Uitsluitend van garantie is schade veroorzaakt door opzettelijk hangen aan de basket, hangen door meerdere spelers, vandalisme, niet- basketbal activiteiten of andere activiteiten die als misbruik of verkeerd gebruik kunnen worden beschouwd.





## 1.0 Introduction

Vous venez de faire l'acquisition du EXIT GALAXY; nous vous en félicitons!

### **S'amuser, être actif et jouer dehors.....**

Nous faisons tout notre possible pour développer des produits sûrs pour les enfants. Étant donné que nos produits sont classés comme étant des jouets, nous nous conformons aux réglementations de sécurité des consommateurs les plus rigoureuses. Avant de commercialiser nos produits, nous faisons réaliser des tests indépendants en vue d'obtenir la certification. Nous testons également en continu nos cycles de production et faisons régulièrement réaliser des tests indépendants à titre de contrôle supplémentaire. Seuls les produits qui se montrent à la hauteur de la norme EXIT Toys la plus rigoureuse sont porteurs de l'étiquette EXIT Toys.

Nous souhaitons vous remercier pour l'achat de ce produit et pour votre fidélité. Nous sommes sûrs que vos enfants s'amuseront autant que nous nous sommes amusés durant la phase de développement. Nous sommes très ouverts et preneurs de tous les commentaires et idées qui pourraient nous aider à améliorer nos produits et à en développer de nouveaux. Vous êtes invités à nous envoyer vos idées à [info@exittoys.com](mailto:info@exittoys.com).

Découvrez le monde de EXIT Toys, ses produits de divertissement branchés et ses nouveautés sur [www.exittoys.com](http://www.exittoys.com).

L'équipe EXIT Toys.



## CONSIGNES DE SÉCURITÉ!



SUIVEZ CES CONSIGNES DE SÉCURITÉ SOUS PEINE DE PROVOQUER DES BLESSURES GRAVES, DES DÉGÂTS MATÉRIELS ET L'ANNULATION DE LA GARANTIE.

*Le propriétaire doit s'assurer que tous les joueurs connaissent et suivent ces règles d'utilisation sûre du système.*

Par mesure de sécurité, n'essayez pas de monter ce système sans suivre scrupuleusement les instructions. Un montage, une utilisation et une supervision corrects et complets sont indispensables à un bon fonctionnement et à la réduction des risques d'accident ou de blessure. Des blessures graves sont très probables si le système n'est pas installé, entretenu et utilisé correctement.

- Si vous utilisez une échelle en cours de montage, soyez extrêmement prudent.
- Deux (2) personnes adultes et aptes sont recommandées pour cette opération.
- Cet équipement est destiné à un usage récréatif à domicile et NON PAS pour un jeu extrêmement compétitif.
- Lisez et comprenez l'étiquette d'avertissement fixée au poteau.
- La durée de vie de votre poteau de basket-ball dépend de nombreuses conditions. Le climat, la mise en place du poteau, le lieu du poteau, l'exposition à des substances corrosives telles que les pesticides, les herbicides, ou les sels sont toutes importantes.
- Emboîtez correctement les sections de poteau (le cas échéant). Elles risquent sinon de se déboîter en cours de jeu et/ou de transport du système.
- Les conditions climatiques, la corrosion ou une mauvaise utilisation risquent de provoquer la panne du système.
- Pour toute assistance technique, contactez le service clientèle.
- La hauteur minimale d'utilisation est de 1,98 (6' 6") m jusqu'à la socle du panneau.
- La surveillance d'une personne adulte est recommandée pour le réglage en hauteur.
- **Ne pas se suspendre sur le cercle**



*La plupart des blessures sont causées par une mauvaise utilisation et/ou le nonrespect des instructions. Soyez prudent lorsque vous utilisez ce système.*

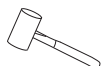
## OUTILS NECESSAIRES



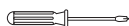
- Deux (2) personnes adultes et aptes



- Mètre ruban



- Marteau



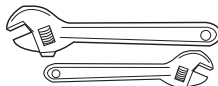
- Tournevis type Philips n° 2 ou n° 3



- Lunettes de protection



- Escabeau de 8Ft (2,4 m)



- Clés à molette grandes et petites



- Perceuse



- Niveau



- Crayon

**Avertissements d'usage general**

- Notice à lire avant utilisation et à conserver pendant toute la durée de vie du produit.
- Attention! Ne convient pas aux enfants de moins de 3 ans en raison de petites pièces.
- Risque d'étouffement.

**Attention**

- Vérifier régulièrement les parties importantes du produit (panneau, cercle, châssis, fixation, etc.) afin de s'assurer du bon état du produit. Sans ces contrôles réguliers, le produit risquerait de se renverser ou de présenter d'autres risques pour l'utilisateur.
- Nous vous conseillons d'utiliser votre panneau avec une fixation au sol.
- Cet équipement ne doit pas être soumis à une mauvaise utilisation.
- Le non-respect des consignes de sécurité indiquées ci-dessous pourrait entraîner de sérieux dommages physiques.
- Exclusivement à usage familial.
- Produit réservé à l'usage exclusif d'une initiation au Basket-Ball.

**Lors du Montage**

- Montage à effectuer par deux adultes exclusivement.
- Respecter les instructions de montage (schémas et texte fournis)
- Vérifier, au préalable de la fixation du produit, l'adéquation de la visserie au support de fixation auprès d'un professionnel du bâtiment.
- Lorsque vous réglez la hauteur ou que vous déplacez le système, gardez les mains et les doigts à l'écart des pièces en mouvement.

**Stockage**

- Si le produit est stocké en extérieur, il doit être placé loin de biens personnels, de câbles suspendus et/ou dans un endroit à l'abri du vent.

**Avertissement d'usage dans le jeu**

- Lire les avertissements indiqués ci-dessous avant d'utiliser ce produit, le non-respect des consignes de sécurité pourrait entraîner de sérieux dommages physiques et/ou des dégâts matériels.
- L'utilisation du produit par un enfant doit se faire sous la surveillance constante d'un adulte.
- Utilisation en extérieur ou en intérieur (prévoir une hauteur de plafond suffisante pour pouvoir jouer à une hauteur maxi de 3m05).
- Lors du réglage de la hauteur, gardez les mains et les doigts à l'écart des pièces en mouvement.
- Il est impératif de vérifier le bon état du système avant chaque utilisation, ne jouez jamais sur du matériel défectueux.
- Vérifier le système (lest, visserie mal serrée, usure excessive et signes de corrosion) et les fixations des éléments à emboîter (panneau, cercle, filet, stabilité du système complet, avant chaque utilisation. Et réparer si nécessaire avant utilisation.
- Ne pas se suspendre sur le cercle, au filet ou sur une autre partie du système, y compris le panneau ou le filet.

- Ne pas monter, sauter, glisser, jouer sur l'armature.
- Ne pas secouer l'armature.
- Risque de strangulation avec le filet.
- Durant le jeu, en particulier lorsque vous faites un smash, gardez le visage à l'écart du panneau, du cerceau et du filet. Risque de blessures graves si les dents ou le visage viennent heurter le panneau, le cercle ou le filet.
- Ne pas laisser régler le système par un enfant seul, il doit être effectué par un adulte exclusivement.
- Avant le jeu, retirez vos bijoux (bagues, montres, colliers, etc.). Ces objets peuvent se prendre dans le filet.
- La surface située sous le socle doit être lisse, sans gravier ou autres objets coupants.
- Maintenez les substances organiques à l'écart du socle du poteau. L'herbe, les ordures, etc. risquent de causer la corrosion et/ou la détérioration du système.
- Vérifier l'état du système (signes de corrosion comme rouille, piqûres, écaillage) et repeindre avec de la peinture émail pour extérieur. Si de la rouille a piqué l'acier en tout point, remplacez immédiatement le poteau.
- N'utiliser pas le système les jours de vent fort et/ou de tempête : le système, soyez prudent pour empêcher le mécanisme de se déséquilibrer.

### Consignes de securite

- LE NON RESPECT DES CONSIGNES DE SÉCURITÉ POURRAIT ENTRAÎNER DE SÉRIEUX DOMMAGES PHYSIQUES, DES DÉGÂTS MATÉRIELS ET/OU L'ANNULATION DE LA GARANTIE.
- Le propriétaire doit s'assurer que tous les joueurs connaissent et suivent les consignes d'utilisation et de montage du système. Un montage, une utilisation et une supervision corrects et complets sont indispensables à un bon fonctionnement et à la réduction des risques d'accident ou de blessures. Des blessures graves sont très probables si le système n'est pas installé, entretenu et utilisé correctement.
- Si vous utilisez une échelle en cours de montage (solution non préconisée pour le montage de ce système), veiller à être extrêmement prudent.
- Vérifier régulièrement le socle pur vous assurer qu'il ne fuit pas. Des petites fuites risquent d'entraîner le basculement intempestif du système.
- Les conditions climatiques, la corrosion ou une mauvaise utilisation risquent d'endommager le système.
- Tous les systèmes de basketball EXIT Galaxy, y compris ceux utilisés en Exposition doivent être assemblés, selon les instructions. Suivez ces instructions sous peine d'encourir des BLESSURES GRAVES.
- La plupart des blessures sont causées par une mauvaise utilisation et/ou le non-respect des instructions. Soyez prudent lorsque vous utilisez ce système.

### Entretien et garantie

Afin d'assurer la longévité de votre produit, nous vous conseillons de:

- Respecter les procédures d'utilisation et de montage
- Vérifier le système avant chaque utilisation (lest, visserie mal serrée, usure excessive et signes de corrosion) et si nécessaire procédez à la réparation.
- Inspecter et resserrer régulièrement la visserie et les pièces de petite taille pour éviter les jeux et les risques de blessures.
- Ne pas utiliser de produits détergents pour l'entretien du système. Laver à l'eau claire ou savonneuse.

**Utiliser la liste des pièces accompagnant dessins à partir de la page 44**

**LISTE DES PIÈCES #1**

<b>Numéro de pièce</b>	<b>Description</b>	<b>#</b>
7	Bras supérieur	2
42	Bras court	2
38	Cadre pour montage mural	1
70	Tube boulon	1
39	Support de réglage	1
10	Support panneau	1
11	Support bras	4
44	Poteau de réglage supérieur	1
45	Poteau de réglage intermédiaire	1
46	Poteau de réglage inférieur	1

**LISTE DES PIÈCES #2**

<b>Numéro de pièce</b>	<b>Description</b>	<b>#</b>
D2	M8 Rondelle	4
15	M10 Rondelle en plastique	4
16	M12 Rondelle	6
D8	M12 Rondelle en plastique	4
C4	M12 Ecrou	5
C3	M10 Ecrou	3
C2	M8 Ecrou	8
G1	M8 Rondelle à ressort	4
A22	M12X225 Boulon	2
A26	M12X225 Boulon à tête ronde	1
A4	M8X40 Boulon	4
A5	M8X50 Boulon	4
A11	M10X60 Boulon	2
A16	M10X115 Boulon	1
A19	M12X65 Boulon	2

*Vous trouverez ci-joint les spécifications actuelles et les caractéristiques des produits disponibles au moment de l'impression. Cependant, des modifications dans l'équipement, la disponibilité, les spécifications et les caractéristiques peuvent survenir, sans préavis.*

### LISTE DES PIÈCES #3

Numéro de pièce	Description	#
H1	M8X46 Tube d'extension en plastique	4
A24	M8X60 Tirefond	4
A25	M8X80 Vis en acier	2
	Clef allen	1
19	Panneau	1
20	Bord	1
48	Bord flexible	
21	Filet	1

*Vous trouverez ci-joint les spécifications actuelles et les caractéristiques des produits disponibles au moment de l'impression. Cependant, des modifications dans l'équipement, la disponibilité, les spécifications et les caractéristiques peuvent survenir, sans préavis.*

1

**Utiliser les dessins d'assemblage  
d'accompagnement à partir de la page 47**

1. La distance du cadre prévu pour le montage mural (38) jusqu'au sol est de 2,560 mm.
2. Ensuite, marquez les endroits où sont prévus les trous à l'aide du cadre prévu pour le montage mural,
3. Percez les trous selon les marques sur la paroi.

2

1. Fixez deux boulons en acier M8x80mm (A25) dans les deux trous supérieurs.
2. Fixez les quatre tubes d'extension en plastique M8x46 (H1) dans la paroi.

3

Fixez le support de bras (11) avec deux boulons M8X40mm (A4) et deux écrous M8 (C2) dans le panneau (19).

Répétez cette étape au coté opposé du système de poids.

4

**BORD (20):** Fixez le support de panneau (10) à l'anneau (20) avec quatre boulons M8X50mm (A5), quatre rondelles à ressort M8 (G1), quatre rondelles d'étanchéité M8 (D2), quatre écrous M8 (C2) au panneau noir (19).

**BORD FLEXIBLE (48):** Fixez le support de panneau (10) à l'anneau flexible (48) avec quatre boulons M8X50mm (A5), quatre rondelles à ressort M8 (G1), au panneau noir (19).

5

Fixez le support de réglage (39) avec un boulon M10X115mm (A16) et un écrou M10 (C3) dans le support de panneau (10).

6

1. Fixez le bras supérieur (7) au support de bras (11) avec un boulon M10X60mm (A11), deux rondelles d'étanchéité en plastique M10 (15) et un écrou M10 (C3).

Répétez cette étape au coté opposé du système de poids.

**Ne serrez pas les boulons.**

2. Fixez le tube boulon (70) au bras supérieur (40) avec un boulon à tête ronde M12X225mm (A26), deux rondelles M12 (16) et un écrou M12 (C4).

**Ne serrez pas les boulons.**

7

Fixez le bras court (42) au support du panneau (10) avec un boulon M12X225mm (A22), deux rondelles M12 (16) et un écrou M12 (C4).

**Ne serrez pas les boulons.**



## 8

Fixez le cadre prévu pour le montage mural (38) au bras supérieur (7) avec deux boulons M12X65mm (A19), quatre rondelles d'étanchéité en plastique M12 (D8) et deux écrous M12 (C4).

**Ne serrez pas les boulons.**

## 9

Fixez le cadre prévu pour le montage mural (38) au bras court (42) avec un boulon M12X225mm (A22), deux rondelles M12 (16) et un écrou M12 (C4).

**Remarque: Assurez-vous que tous les boulons mentionnés ci-dessus sont serrés avec la même force. Ne serrez pas trop les écrous sur les parties pivotantes.**

## 10

1. Montez le poteau de réglage supérieur (44) au poteau de réglage intermédiaire (45).
2. Ensuite, fixez le poteau de réglage inférieur (46) au poteau de réglage intermédiaire (45).

## 11

1. D'abord, le cadre prévu pour le montage mural (38) doit être fixé à l'aide de boulons en acier M8X80mm (A25).
2. Ensuite, assembler des rondelles, des rondelles à ressorts et des écrous. Fixez le cadre prévu pour le montage mural (38) avec quatre rondelles d'étanchéité M8 (D2) et quatre vis en bois M8x60mm (A24) dans la paroi.

Remarque: Assurez-vous que tous les boulons mentionnés ci-dessus sont serrés avec la même force.

**Ne serrez pas trop les écrous sur les parties pivotantes.**

## 12

### Conseils

A. Monter le niveau du panneau :

Poussez le bord le poteau de réglage vers le haut afin de monter le niveau du panneau.

B. Descendre le panneau:

1. Poussez d'abord la poignée de réglage vers le haut avec le poteau de réglage, afin que le panneau descende au point le plus bas.
2. Ensuite, poussez le bord avec le poteau de réglage vers le haut afin de remonter le panneau jusqu'au niveau souhaité.



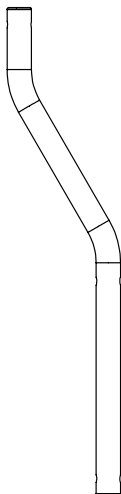
**Félicitations ! Votre EXIT Galaxy Panier de basket est assemblé et prêt à l'emploi!**

## 7.0 Garantie

1. Le propriétaire du système EXIT Galaxy bénéficie d'une garantie après la date d'achat:
  - Garantie de 2 ans sur l'armature en acier.
  - 1 an de garantie sur le Tableau arrière et la bordure.Les pièces d'usure (comme le filet): **aucune garantie.**
2. La garantie s'applique uniquement vis-à-vis des vices de construction et des vices matériels de ce produit ou des pièces de ce produit.
3. La garantie s'annule lorsque:
  - Ce produit est utilisé incorrectement et/ou avec négligence et non conformément à ce pour quoi il a été destiné.
  - Ce produit n'a pas été assemblé et entretenu conformément au carnet d'instructions.
  - Les réparations techniques sur ce produit n'ont pas été effectuées de manière compétente.
  - Les pièces montées plus tard ne correspondent pas aux spécifications techniques du produit concerné, ou sont montées de manière inexacte.
  - Les défauts liés aux influences climatologiques, comme la rouille, le rayonnement UV ou l'altération normale.
  - Le produit est utilisé pour la location ou est mis, d'une autre manière, à la disposition de plusieurs personnes non spécifiées.
4. Pendant la période de garantie, tous les vices de construction ou les vices matériels constatés par EXIT Toys seront réparés ou remplacés, selon le choix de EXIT Toys.
5. Le propriétaire du système EXIT Galaxy peut seulement prétendre à la garantie en proposant le produit à l'inspection auprès d'un distributeur EXIT Toys. La facture d'achat originale doit être remis au distributeur EXIT Toys.
6. En cas de vice de construction ou de vice matériel de EXIT Toys, le produit ou les pièces du produit sera/seront réparé(es) ou remplacé(es) gratuitement, selon le choix de EXIT Toys, pendant la période de garantie précitée à l'article 1.
7. Si la demande de garantie n'est pas justifiée, tous les frais encourus sont à la charge du propriétaire.
8. La garantie n'est pas transmissible aux tiers.
9. Le système EXIT Galaxy est conçues pour un usage privé. Il est interdit de louer le système EXIT Galaxy ou de les placer dans des lieux publics comme des écoles ou des crèches. En cas de location ou d'utilisation dans des lieux publics, toute garantie ou autre responsabilité tombe.
10. La garantie couvre les dommages ou une rupture qui se produit lors de l'utilisation normale ou destination du produit. Utilisation normale ou prévu est décrit comme une activité qui est nécessaire pour la participation du sport pour lequel l'appareil a été développé. Exclue de la garantie est le dommage causé par délibérée accrocher le panier accrocher par plusieurs joueurs, le vandalisme, les activités non-basket-ball ou d'autres activités qui pourraient être considérés comme un abus.



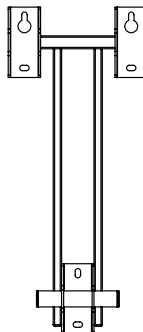
7. Upper arm  
2pcs



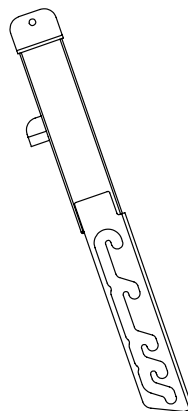
42. Short arm  
2pcs



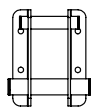
38. Wall-mount frame  
1pc



39. Adjustment bracket  
1pc



70. Bolt sleeve  
1pc



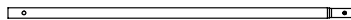
10. Backboard Bracket  
1pc



11. Arm Bracket  
4pcs



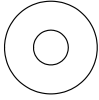
44. Upper adjustment pole  
1pc



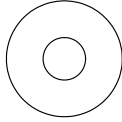
45. Middle adjustment pole  
1pc



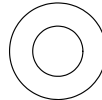
46. Bottom adjustment pole  
1pc



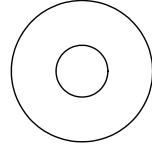
D2 M8 Washer  
4 pcs



15 M10 Plastic Washer  
4 pcs



16 M12 Washer  
6 pcs



D8 M12 Plastic Washer  
4 pcs



C4 M12 Locknut  
5 pcs



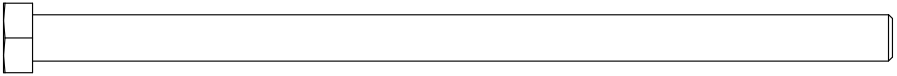
C3 M10 Locknut  
3 pcs



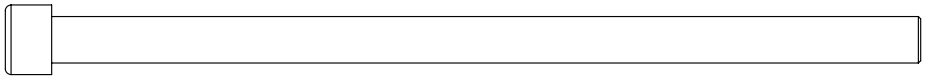
C2 M8 Locknut  
8 pcs



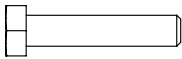
G1 M8 Spring Washer  
4 pcs



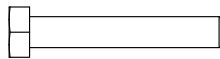
A22 M12X225 Bolt  
2 pcs



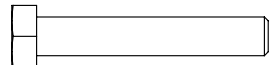
A26 M12X225 Button head Bolt  
1 pc



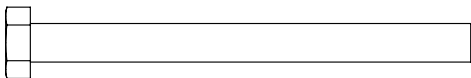
A4 M8X40 Bolt  
4 pcs



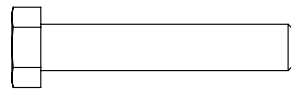
A5 M8X50 Bolt  
4 pcs



A11 M10X60 Bolt  
2 pcs



A16 M10X115 Bolt  
1 pc



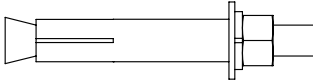
A19 M12X65 Bolt  
2 pcs



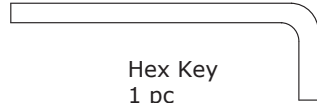
H1 M8X46 Plastic expansion pipe  
4 pcs



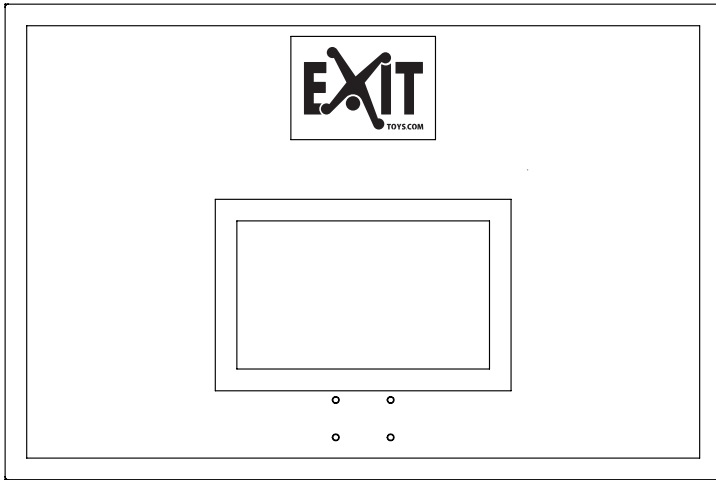
A24 M8X60 Lag Screw  
4 pcs



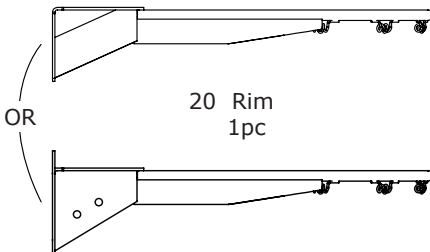
A25 M8X80 Steel Bolt  
2 pcs



Hex Key  
1 pc

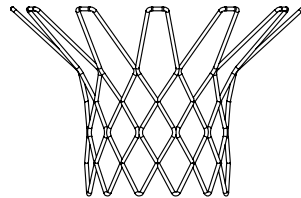


19 Backboard  
1pc



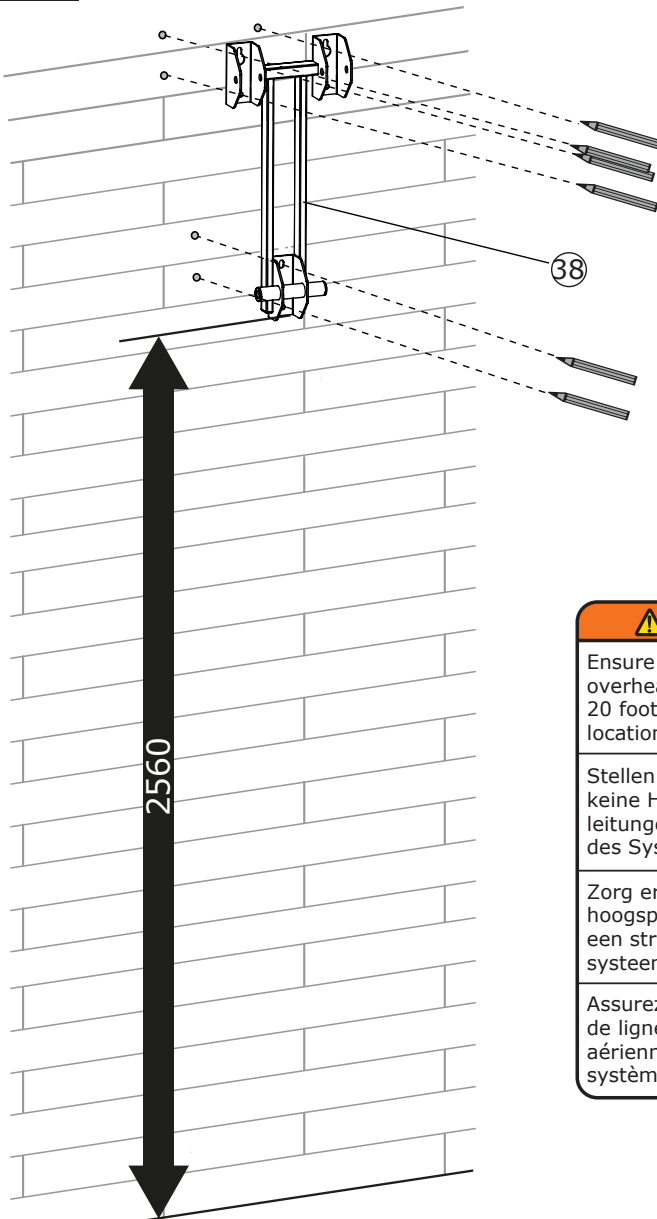
20 Rim  
1pc

48 Dunk-Rim  
1pc



21 Net  
1pc

1

**⚠ WARNING!**

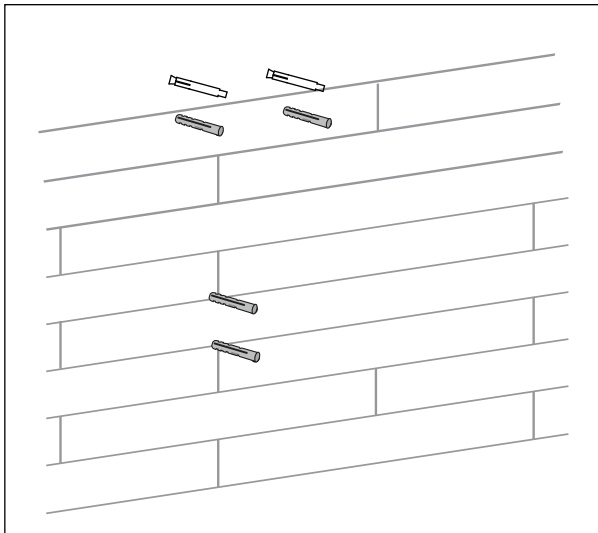
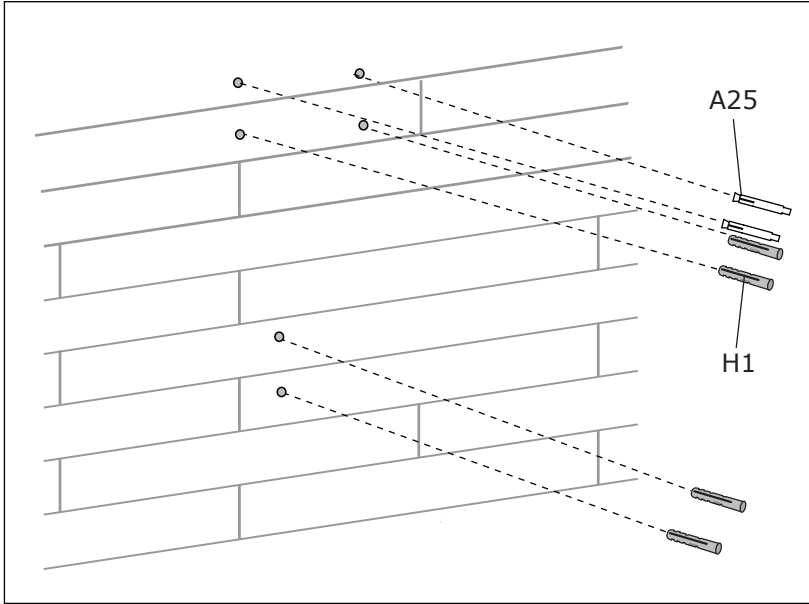
Ensure that there are no overhead power lines within 20 foot (7m) radius of system location.

Stellen Sie sicher, es gibt keine Hochspannungsleitungen im Umkreis von 7m des Systems.

Zorg ervoor dat er geen hoogspanningskabels binnen een straal van 7m van het systeem zijn.

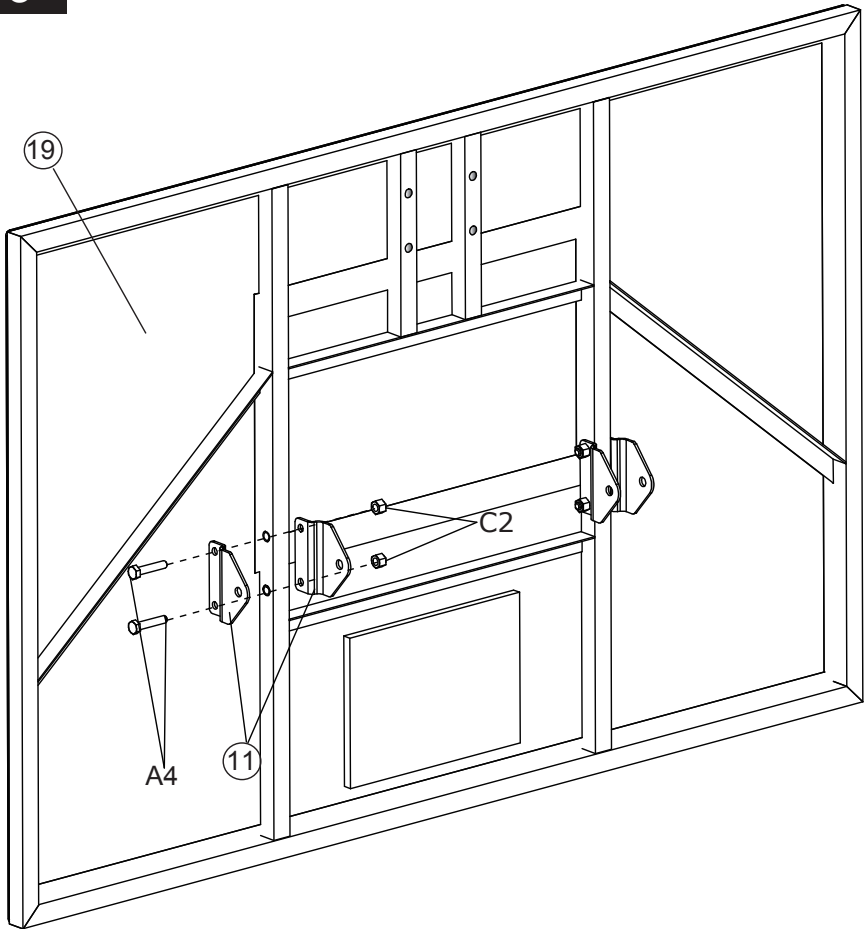
Assurez-vous qu'il n'y a pas de lignes électriques aériennes dans 7m du système.

**2**





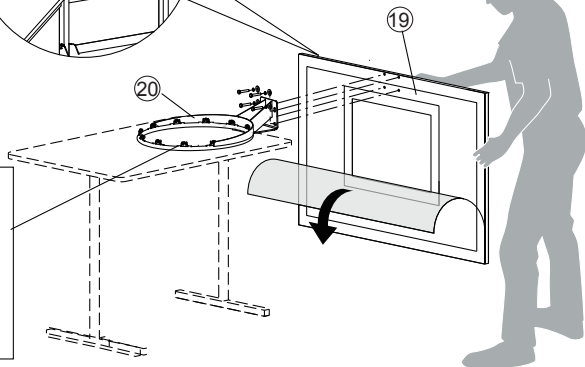
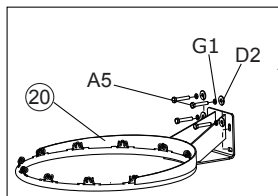
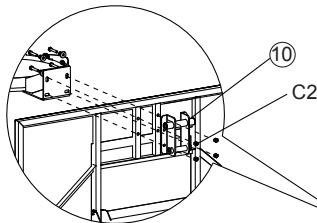
3



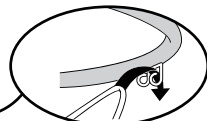
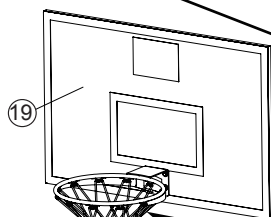
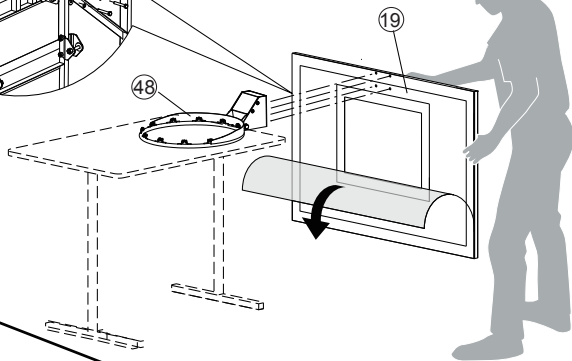
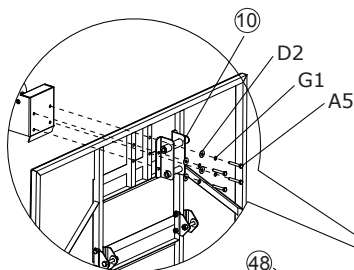
**4**



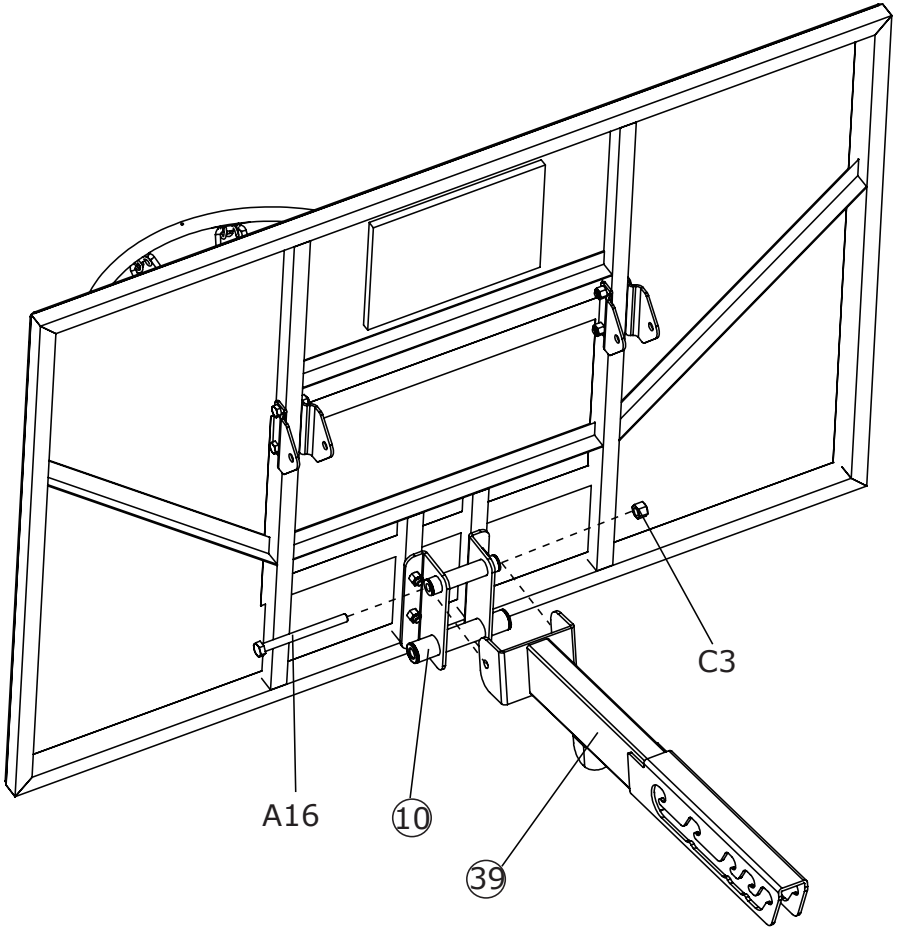
Rim (20)



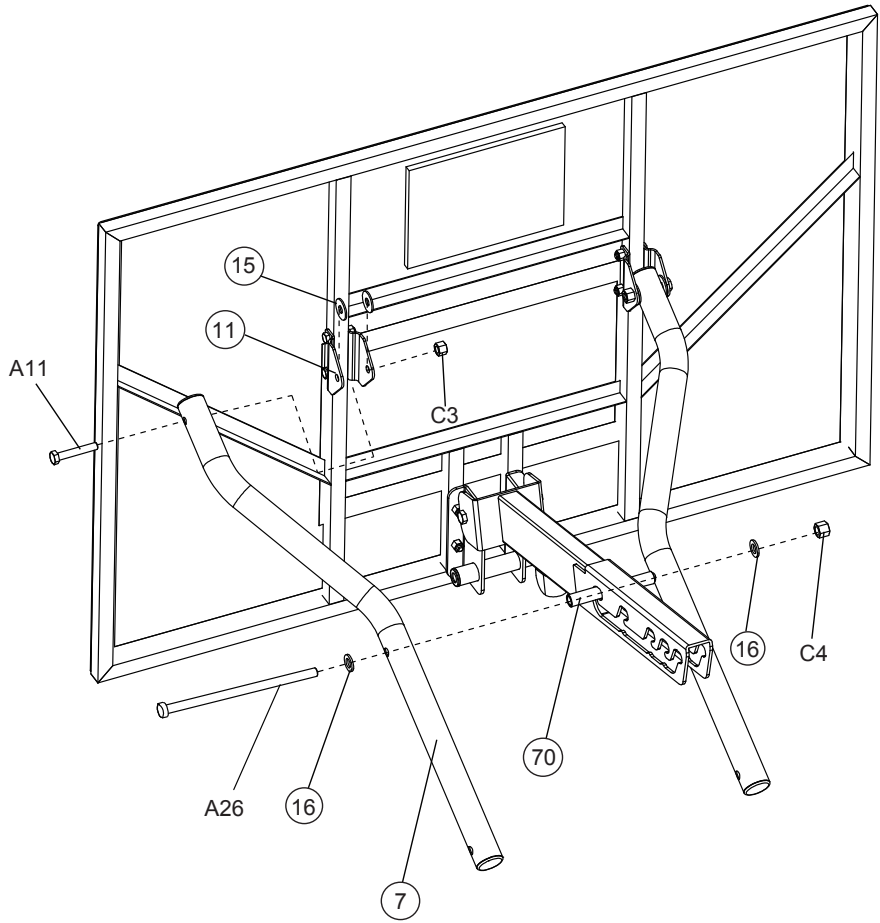
DUNK-Rim (48)



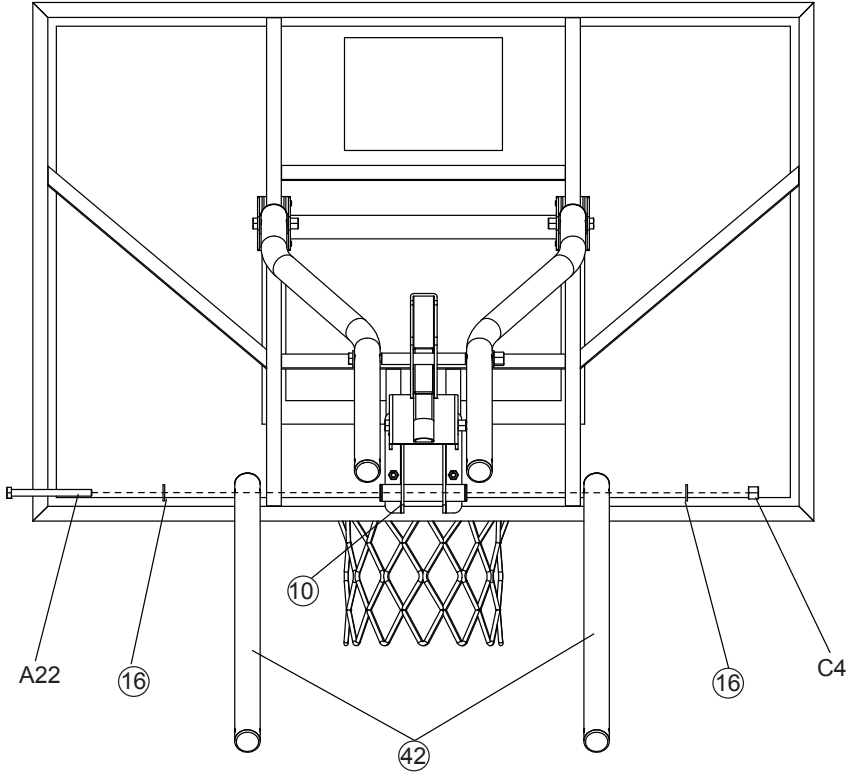
5



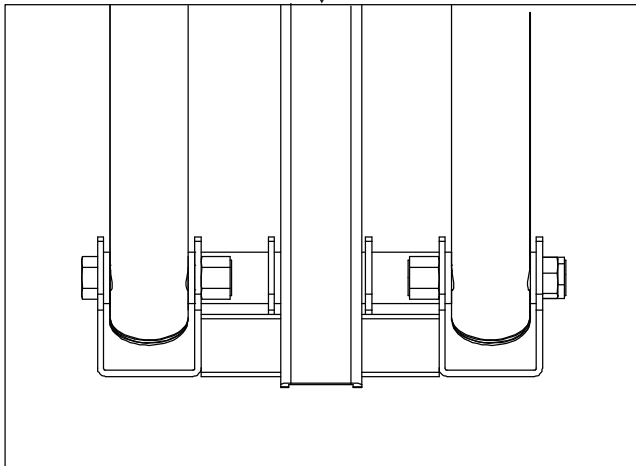
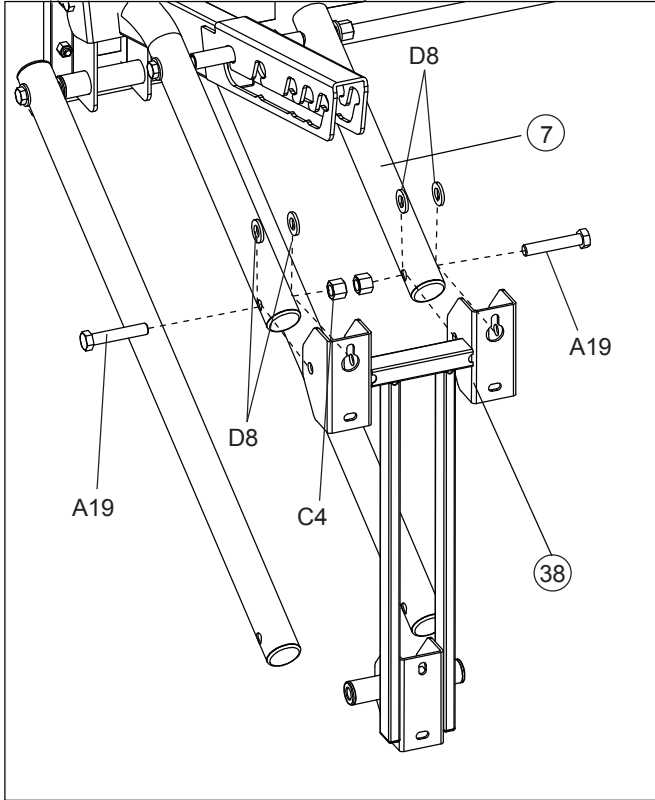
**6**



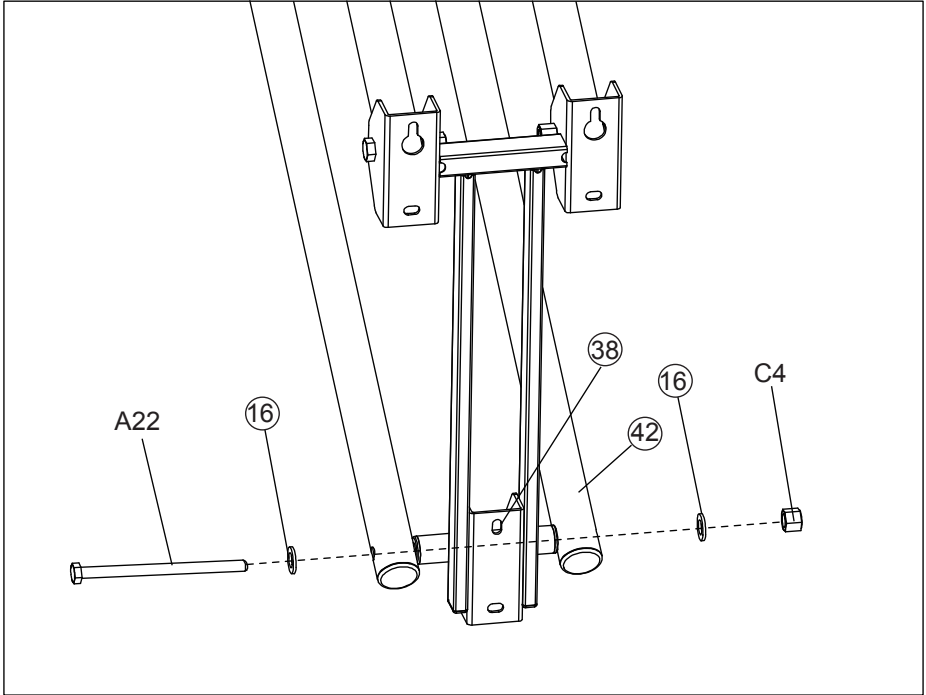
**7**



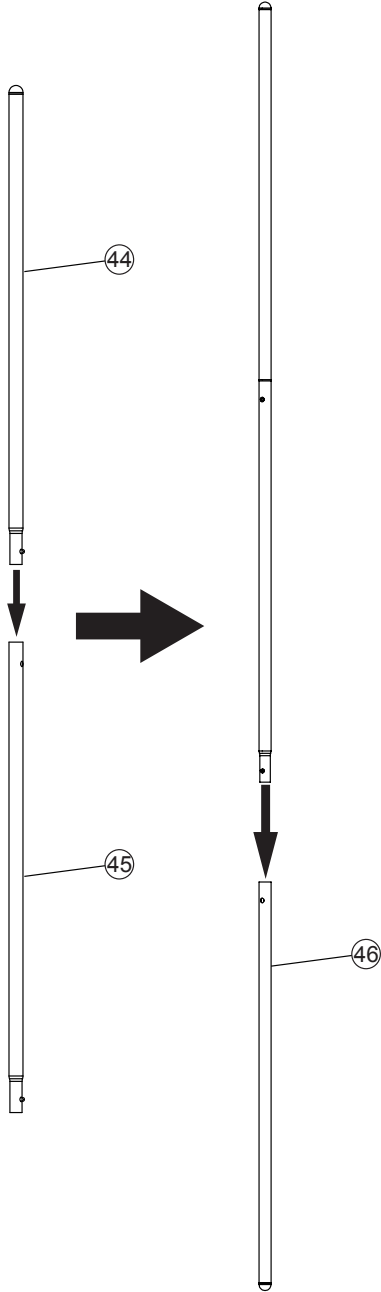
8



**9**

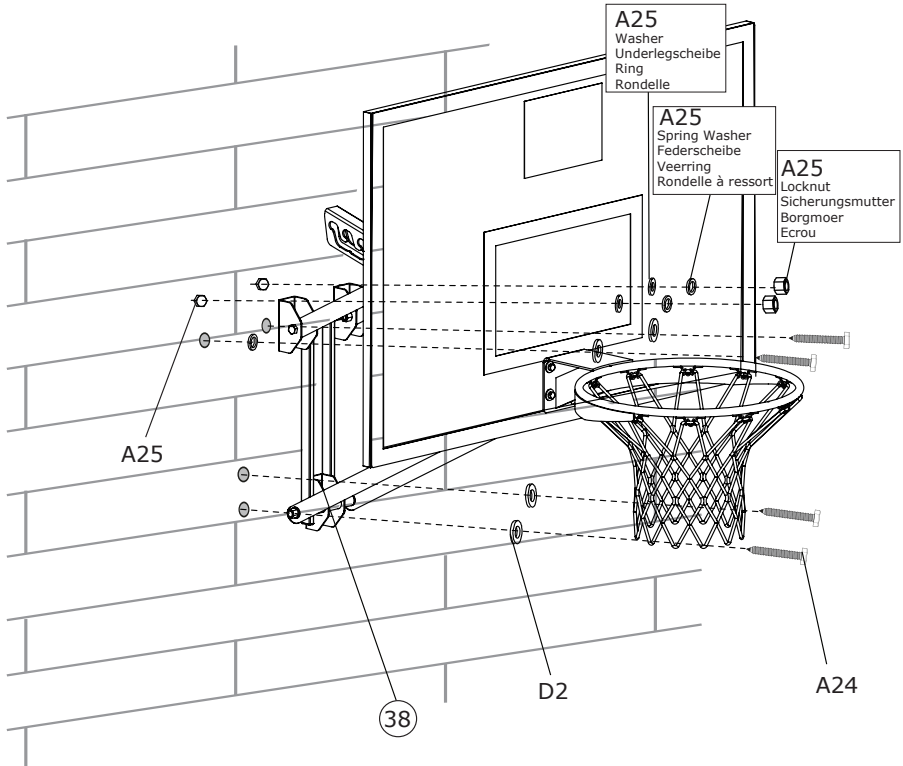


**10**





## 11



**WARNING!**

TWO PEOPLE ARE REQUIRED FOR THE ASSEMBLY. FAILURE TO FOLLOW THIS WARNING COULD RESULT IN SERIOUS INJURY AND/OR PROPERTY DAMAGE.

**WAARSCHUWING!**

ER ZIJN TWEE PERSONEN VEREIST VOOR DE MONTAGE. NEGEREN VAN DEZE INSTRUCTIES KAN LEIDEN TOT ERNSTIG LETSEL EN/OF SCHADE AAN BEZITTINGEN

**WARNUNG!**

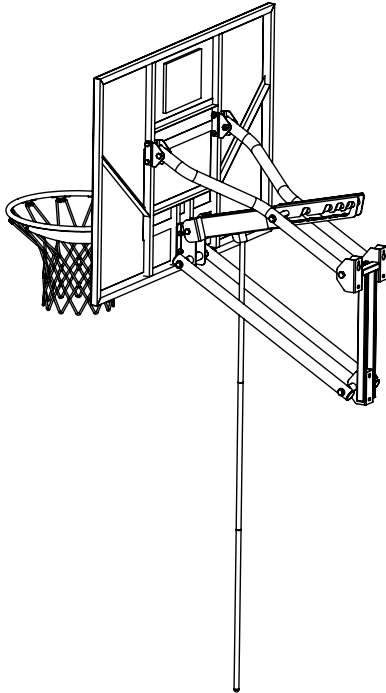
ES SIND ZWEI PERSONEN ERFORDERLICH FÜR DIE MONTAGE. EIN MISSACHTEN DIESER WARNUNG KANN ZU SCHWEREN VERLETZUNGEN UND/ODER SACHSCHÄDEN FÜHREN.

**AVERTISSEMENT!**

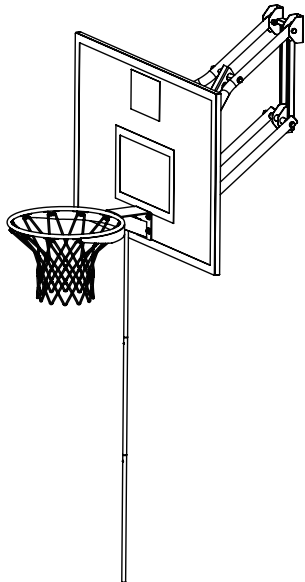
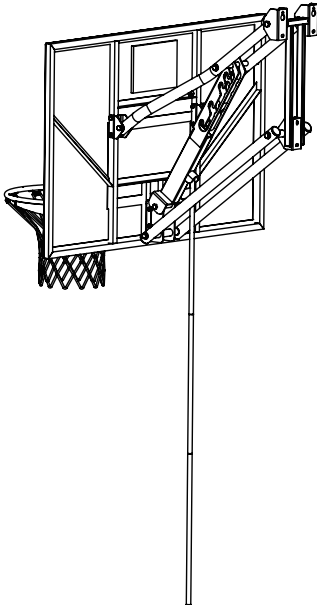
DEUX PERSONNES SONT NÉCESSAIRES POUR L'ASSEMBLÉE. SUIVEZ CET AVERTISSEMENT SOUS PEINE D'ENCOURIR DES BLESSURES GRAVES ET/OU DES DÉGÂTS MATÉRIELS.

12

A



B2



**EN:**

Congratulations! Your EXIT Galaxy Basketball hoop is now fully assembled (put together).

**DE:**

Herzlichen Glückwunsch! Ihr EXIT Galaxy Basketballkorb ist nun montiert und bereit zum Gebrauch!

**NL:**

Gefeliciteerd! Uw EXIT Galaxy Basketball systeem is gemonteerd en klaar voor gebruik!

**FR:**

Félicitations ! Votre EXIT Galaxy Panier de basket est assemblé et prêt à l'emploi!



# ***Galaxy***

## ***Wall Mount Basketball System***

### ***Owners Manual***



Contact:  
Dutch Toys Group  
Fabriekstraat 17<sup>e</sup>  
P.O. Box 369, 7000 AJ Doetinchem

[info@exittoys.com](mailto:info@exittoys.com)  
[www.exittoys.com](http://www.exittoys.com)

*EXIT is a registered trade mark of Dutch Toys Group*